

# PSC-WCM-60-BLE-CB | Single Channel Wireless Fixture Controller

## Overview

- Casambi Bluetooth Mesh
- 1 Channel of 0-10 Dimming
- Active High Output for Relay drive
- Active High Sensor Input
- High-End Trim, Zoning, Continuous Bi-level Dimming, Scheduling



*Suitable for Indoor Use Only*



## Applications

The PSC-WCM-60-BLE-CB Wireless Fixture Controller allows for one channel of 0-10 dimming, high relay control, and sensor input. This unit is controlled wirelessly via Bluetooth Mesh technology allowing for wireless dimming of LED lighting. The compact size allows for seamless integration to the fixture.

## Wireless Control Operation

**Proprietary Casambi Bluetooth Mesh:** The unit can pair with an Android or iOS application to allow initial setup and subsequent adjustments. End users can program dimming levels and group multiple controllers into a Bluetooth Mesh system

**1 Channel Dimming:** allows for one 0-10 dimming channel for driver control.

**Relay Control:** High control output can be used to trigger relays or other control circuitry.

**Sensor Input:** 12VDC sensor input for interfacing sensors into Bluetooth® Mesh system.

See McWong\_Casambi Commissioning User Manual for more info.

## Accessories

**Power Pack:** The PSC-WCM-60-BLE-CB operates on 12-24 VDC input and requires a separate power pack such as the PacWave™ PSC-AC-PP-200/400/700C/800/900.

Alternatively, the unit can also operate with a driver that has an auxiliary output (12 V).

## Summary

Product Type:  
Wireless Fixture Controller

Input Voltage | Current Consumption:  
12-24 VDC | 100 mA

0-10V Output: 100 mA

High: Vin-2.5 V 100 mA source

Sensor Input: 8-24VDC

Mounting:  
Fixture mount

Max Bluetooth Range<sup>1</sup>:  
49 ~ 65ft (15 ~ 20m)

Operating Temperature:  
-30° C to 70° C

Storage Temperature:  
-40° C to 85° C

Relative Humidity:  
90-95% non-condensing

Color: White

Warranty: 5 years

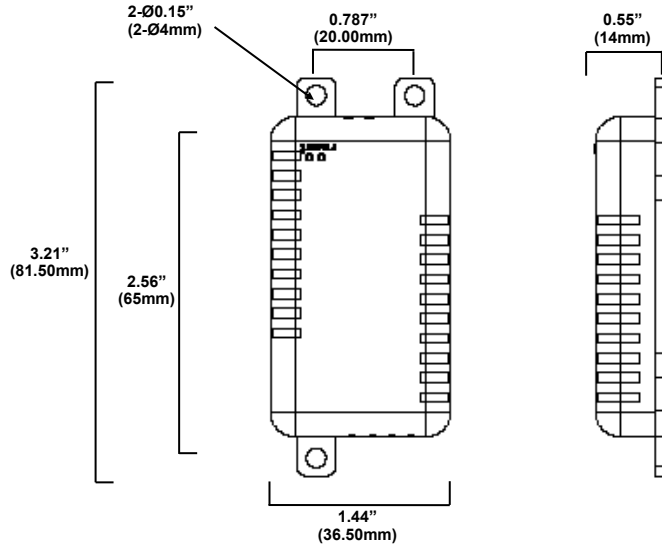
Note:

1. Bluetooth Range is highly dependent on the integration of fixtures, surrounding environment and conditions. It is recommended to conduct testing for range accuracy.

## How to Order

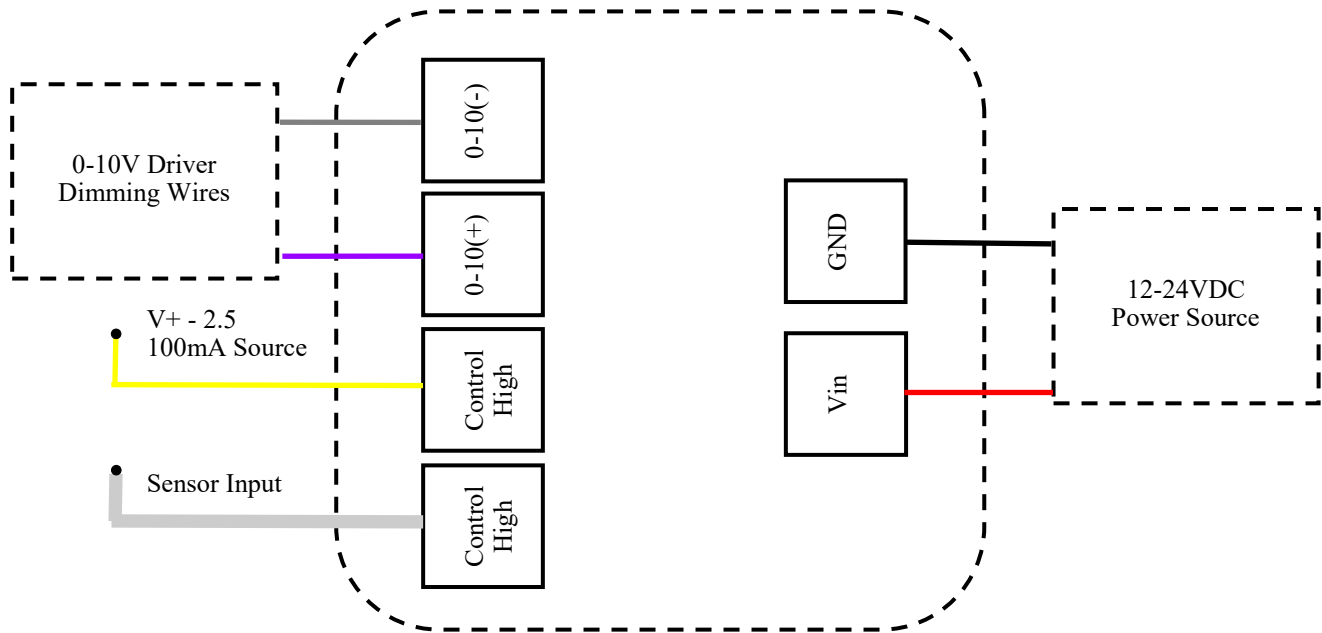
| Model No.         | Description  | Input Voltage | Output                        | Input        |
|-------------------|--|---------------|-------------------------------|--------------|
| PSC-WCM-60-BLE-CB | Fixture Controller, Single Channel, Sensor input, Casambi Bluetooth Mesh | 12-24VDC      | Control High<br>0-10V Dimming | Sensor Input |

**Physical Dimensions**



Drawings are Not to Scale

**Wireless Block Diagram:**



Design and specifications are subject to change without notice.