

LEM-C14-036-0400-U | LED Emergency Driver

Overview

Input Voltage.....85 to 305VAC, 60Hz
 Input Power.....3 Watts
 Output Voltage....12 to 36 VDC
 Output Current...400mA
 Output Power.....14.0W (Maximum)
 Operating Temp...0°C to 50°C (32°F to 122°F)
 Battery Pack.....External
 Dimensions.....6.3" x 1.6" x 1.1"
 Weight.....0.4lbs



Standard Features

- Designed for Safety compliance to UL 924; CAN/CSA-C22.2 No. 141-10 and NFPA requirements for 90 minute egress
- Open circuit / short circuit protection
- Operating temperature: 32°F/0°C to 122F/50°C
- Test switch / charging indicator light
- Emergency reaction time ≤ 1 sec
- Field-replaceable battery pack with quick connect: 6 cell NiMH
- Quality construction backed by 5-year warranty

Note: Charge (install) the battery pack at least 32 hours before use.

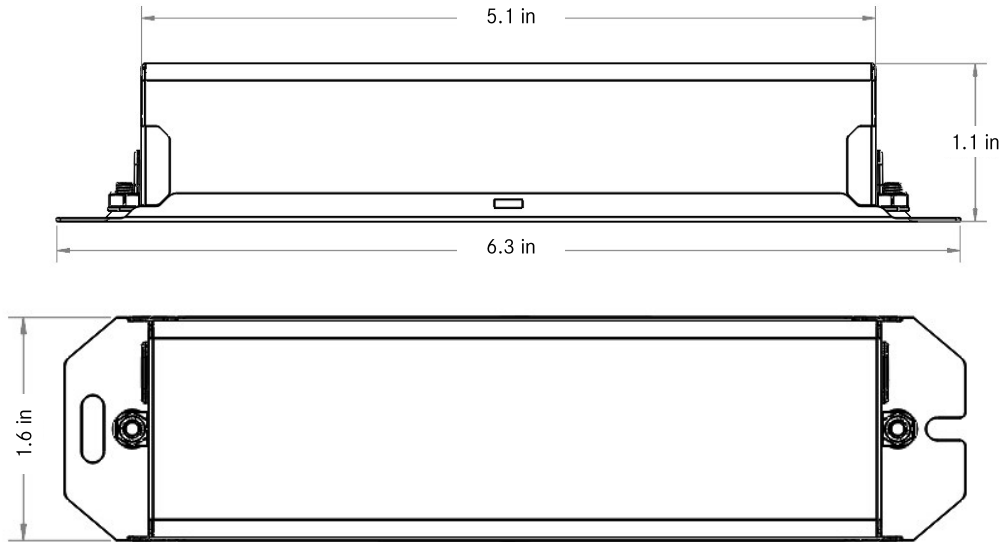
How to Order

Model No.	Input Voltage (VAC)	Output Power (W)	Output Current (mA)	Output Voltage (VDC)	Battery Capacity (Ah)	Battery Voltage (VDC)	Recharge Time (hr)	Battery Pack
LEM-C14-036-0400-U	UNIV	14	400	12-36	4.0	7.2	32	1x6

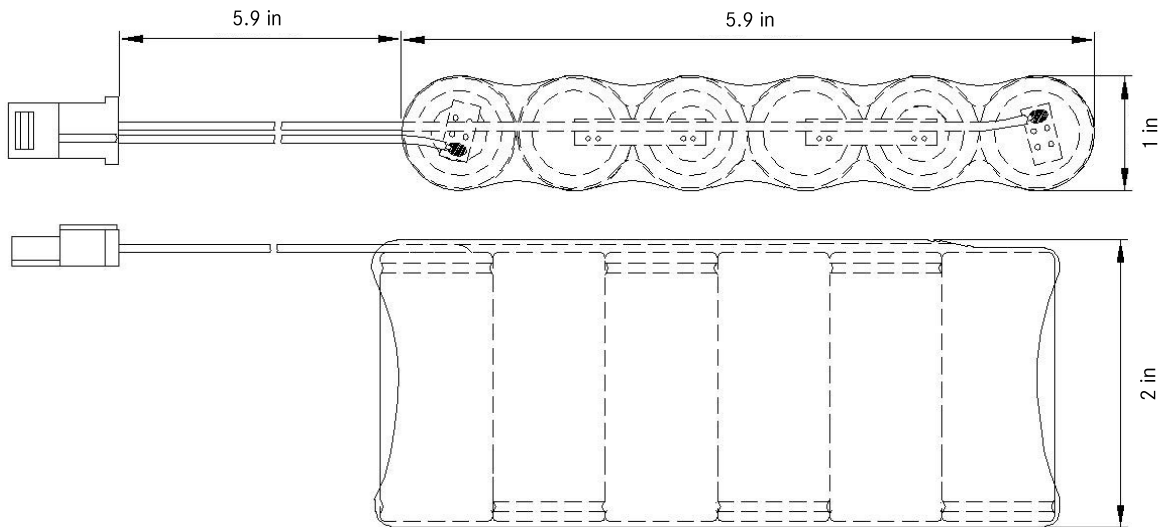
*UNIV = Universal input, auto-ranging between 120-277, 50/60Hz

Dimensions

LEM Driver



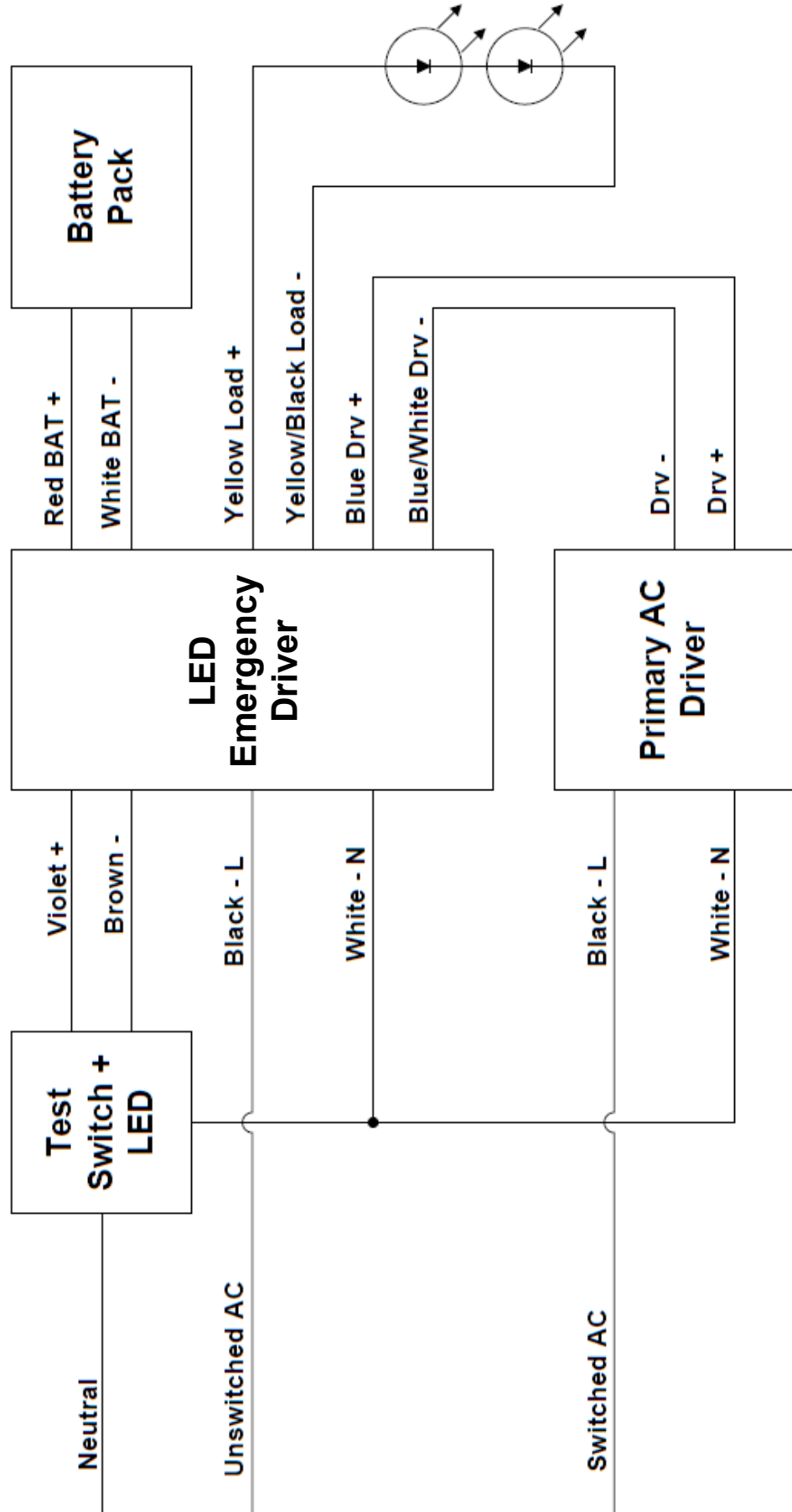
Battery Pack



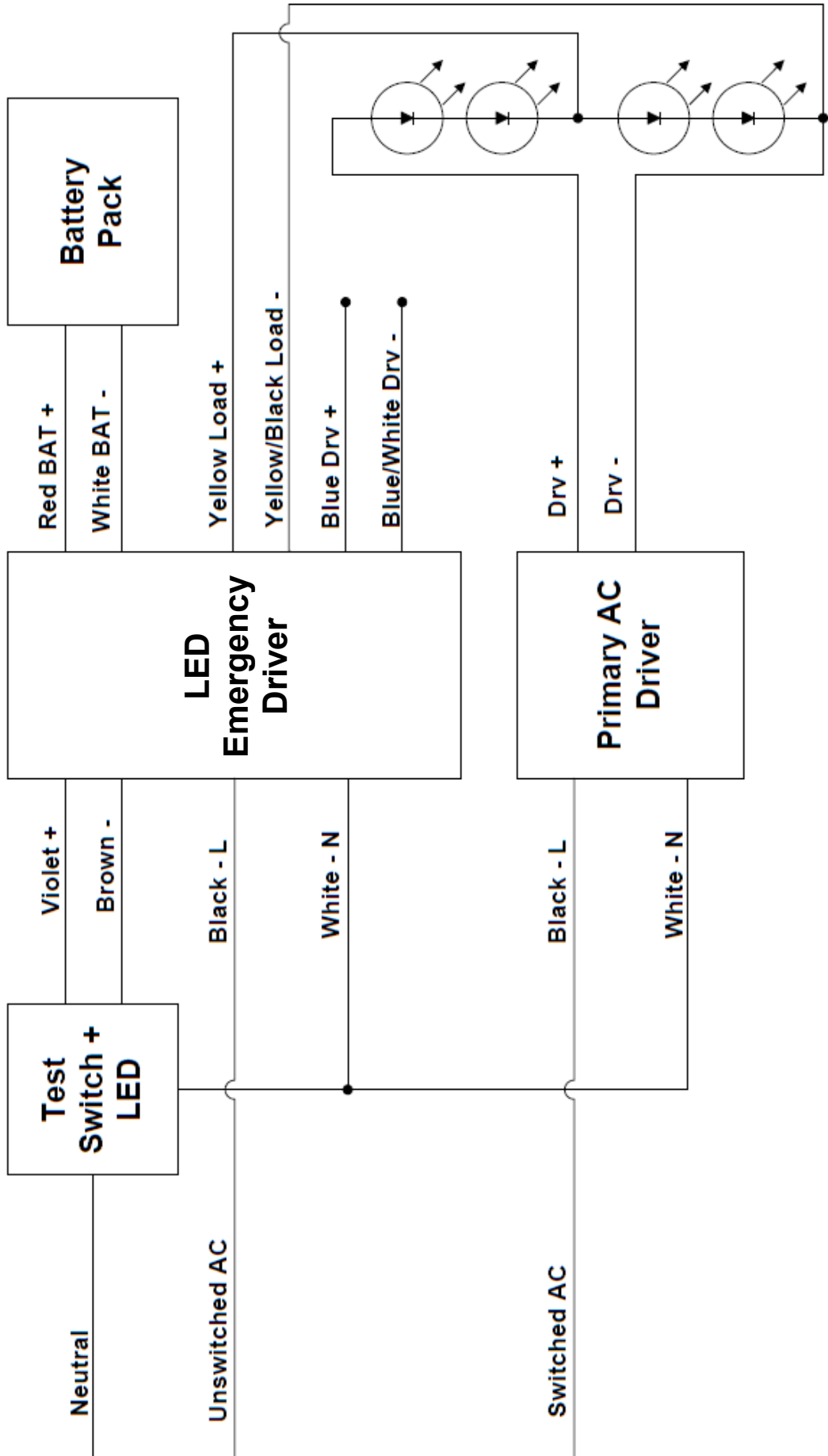
Model No.	Max Overall Length		Width		Height		Mounting Centers		Min Lead Length		Weight (lbs)
	(in)	(mm)	(in)	(mm)	(in)	(mm)	(in)	(mm)	(in)	(mm)	
LEM-C14-036-0400-U	6.3	160	1.6	40	1.1	29	6	152	15.7	400	0.4
BCP-NiMH-7.2-4.0-C*	5.9	150	2	50	1	25	N/A	N/A	5.9	150	1.1

*The driver and battery packs are a matched set, which are automatically paired together when you order. Other battery pack options are available, but must be special ordered.

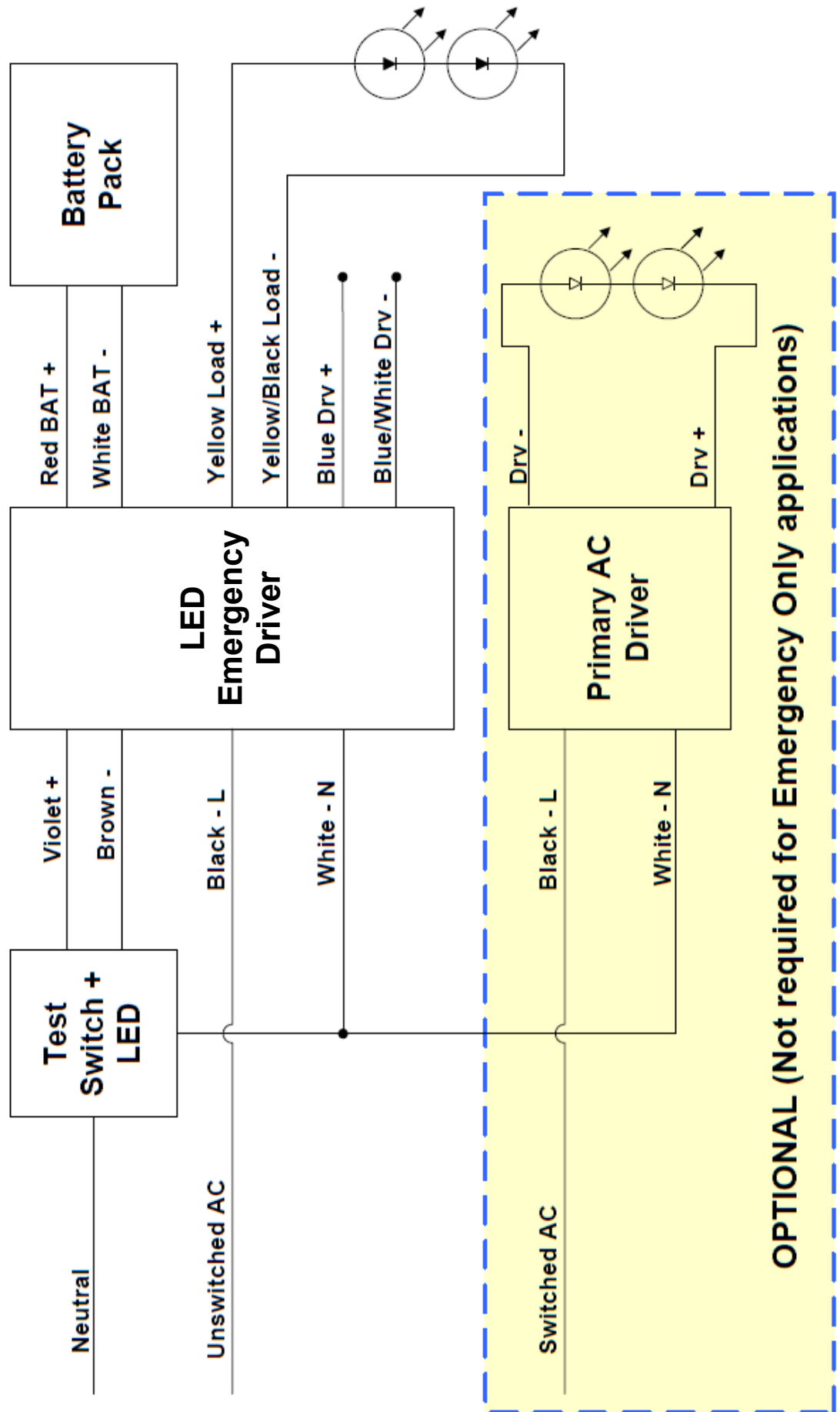
Wiring Diagram Configuration #1:
Shared Load



Wiring Diagram Configuration #2:
Partial Load



**Wiring Diagram Configuration #3:
Separate Emergency / AC Loads**



OPTIONAL (Not required for Emergency Only applications)