

# LEM-C07-036-0200-U | LED Emergency Driver

## Overview

Input Voltage.....85 to 305VAC, 60Hz  
 Input Power.....3 Watts  
 Output Voltage....12 to 36 VDC  
 Output Current....200mA  
 Output Power.....7.0W (Maximum)  
 Operating Temp...0°C to 50°C (32°F to 122°F)  
 Battery Pack.....External  
 Dimensions.....6.3" x 1.6" x 1.1"  
 Weight.....0.4lbs



## Standard Features

- Designed for Safety compliance to UL 924; CAN/CSA-C22.2 No. 141-10 and NFPA requirements for 90 minute egress
- Open circuit / short circuit protection
- Operating temperature: 32°F/0°C to 122F/50°C
- Test switch / charging indicator light
- Emergency reaction time ≤ 1 sec
- Field-replaceable battery pack with quick connect: 6 cell NiMH
- Quality construction backed by 5-year warranty

**Note: Charge (install) the battery pack at least 24 hours before use.**

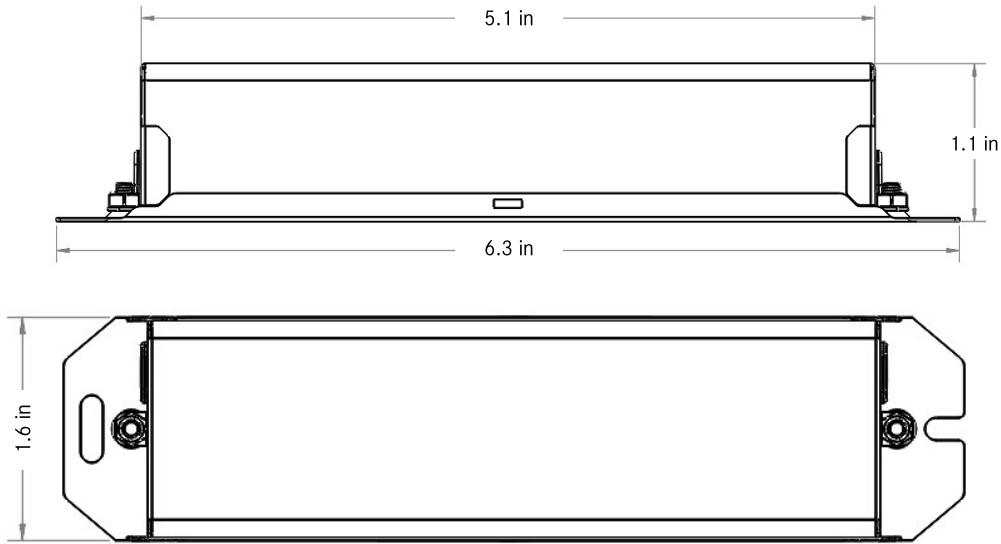
## How to Order

Model No.	Input Voltage (VAC)	Output Power (W)	Output Current (mA)	Output Voltage (VDC)	Battery Capacity (Ah)	Battery Voltage (VDC)	Recharge Time (hr)	Battery Pack
LEM-C07-036-0200-U	UNIV	7	200	12-36	2.1	7.2	24	2x3

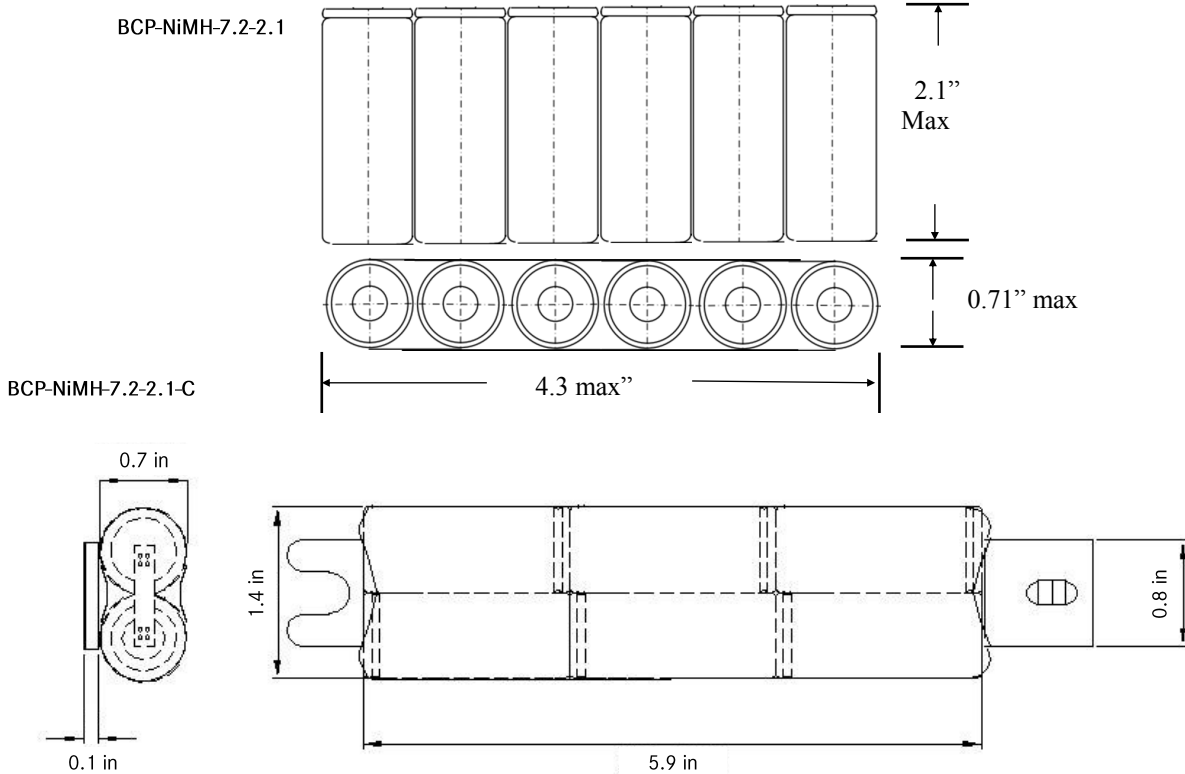
\*UNIV = Universal input, auto-ranging between 120-277, 50/60Hz

**Dimensions**

**LEM-C07-036-0200-U**



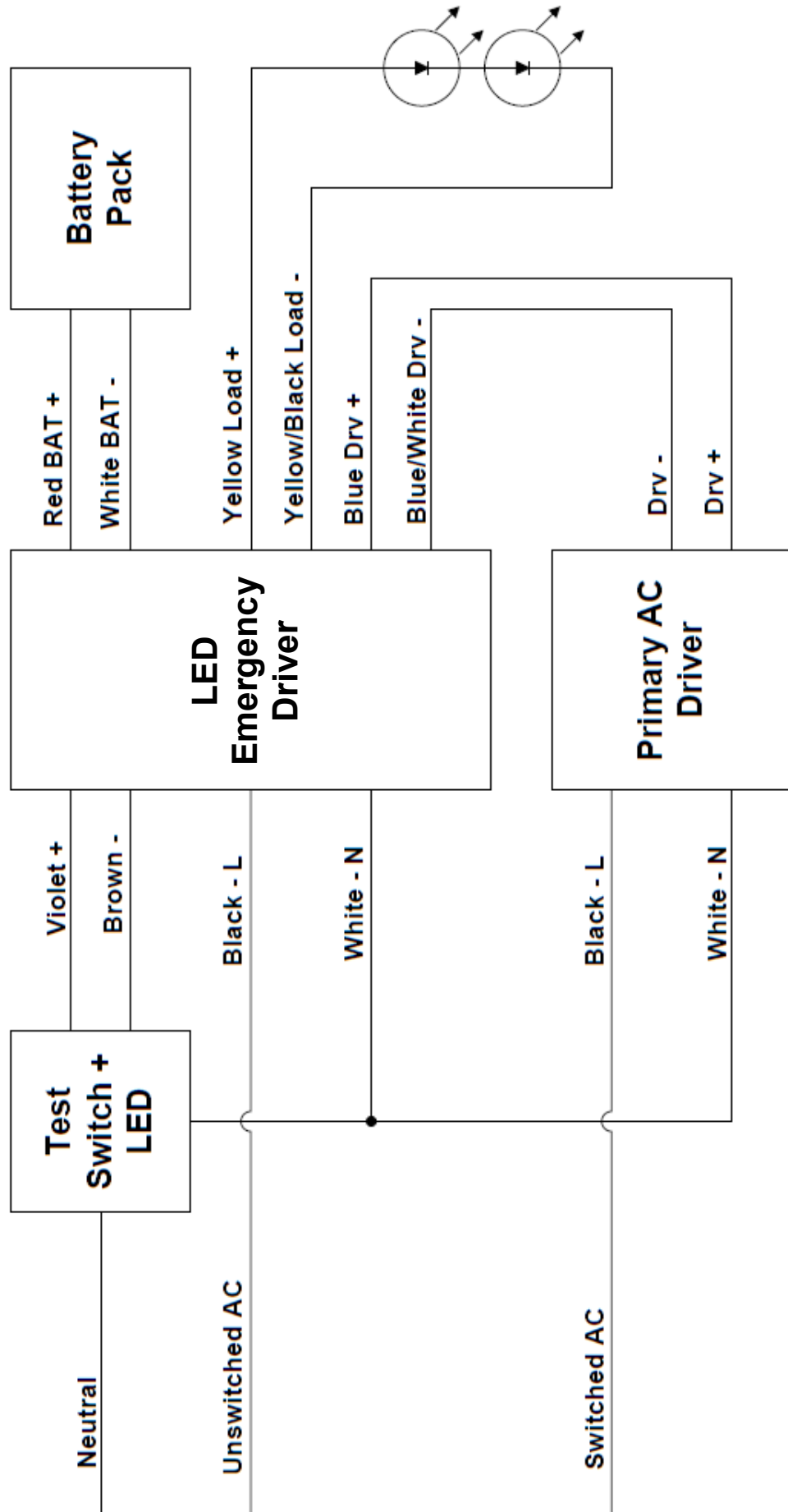
**Battery Pack Options — contact manf. for other footprints**



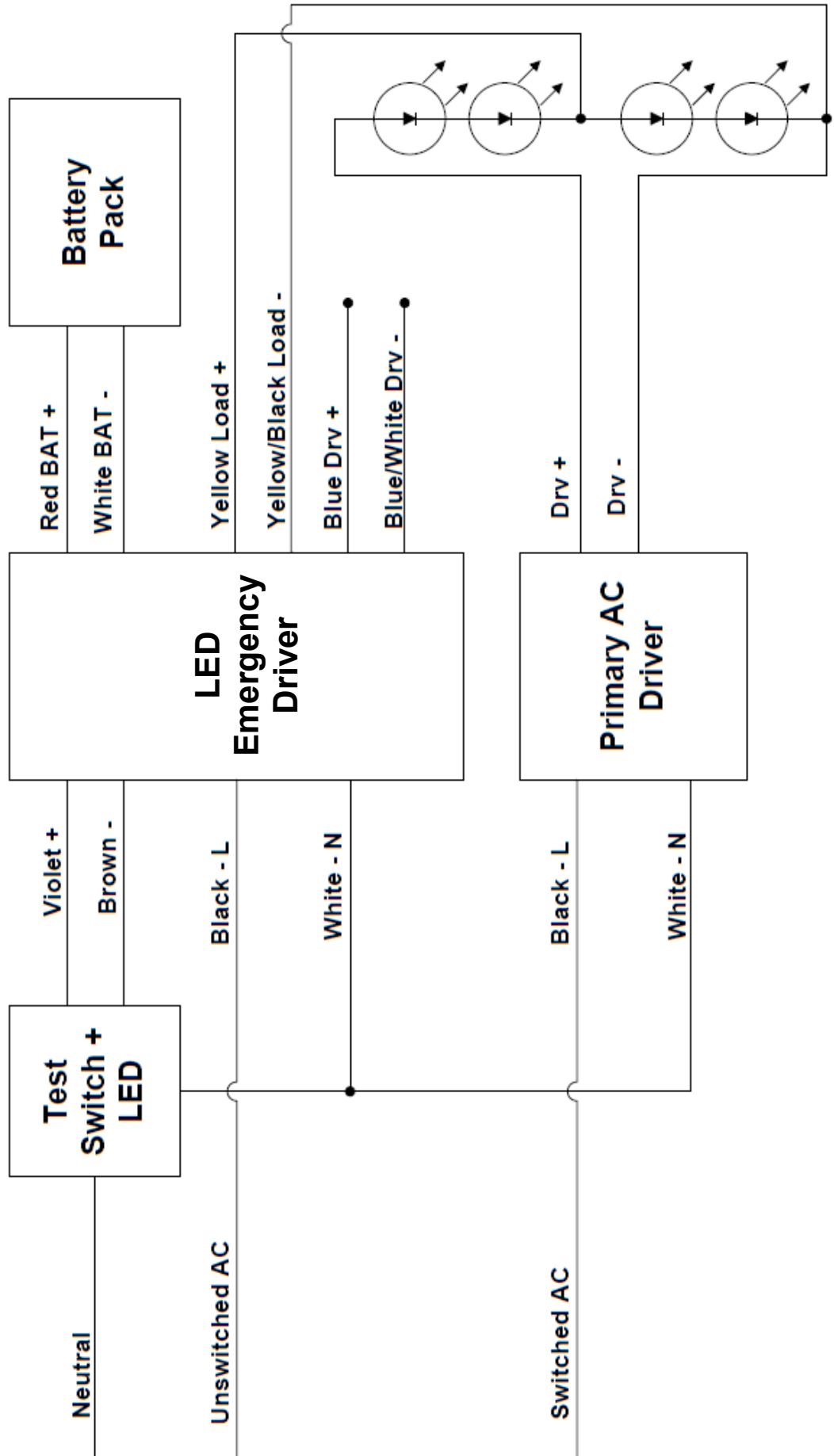
Model No.	Max Overall Length		Width		Height		Mounting Centers		Min Lead Length		Weight (lbs)
	(in)	(mm)	(in)	(mm)	(in)	(mm)	(in)	(mm)	(in)	(mm)	
LEM-C07-036-0200-U	6.3	160	1.6	40	1.1	29	6	152	15.7	400	0.4
BCP-NiMH-7.2-2.1-C*	5.9	150	1.4	35	0.7	17	N/A	N/A	12	305	0.5

\*The driver and battery packs are a matched set, which are automatically paired together when you order. Other battery pack options are available, but must be special ordered.

**Wiring Diagram Configuration #1:**  
**Shared Load**



**Wiring Diagram Configuration #2:**  
**Partial Load**



**Wiring Diagram Configuration #3:  
Separate Emergency / AC Loads**

