

## PSC-DM-WS-100-BLE-xx Series | Bluetooth Dimmer Wall Switch

### Basic Features

- Bluetooth Mesh
- Manual on/off (wireless)
- LED status indicator light
- Mounts in any standard wall box
- Color: white



*Suitable for Indoor Use Only*



### Applications

PSC-DM-WS-100-BLE Bluetooth mesh dimmers provide automatic lighting control for a variety of indoor applications. They can replace any standard single-pole wall switch.

Typical applications include public restrooms, private offices, classrooms, conference rooms, storage spaces, and break rooms.

### Sensor Operation

The Dimmer connects to a Bluetooth mesh network to control all of the lights in a specific zone.

End Users can program dim levels and set scheduling through Bluetooth Android or iOS apps.

The unit also functions as a manual dimmer.

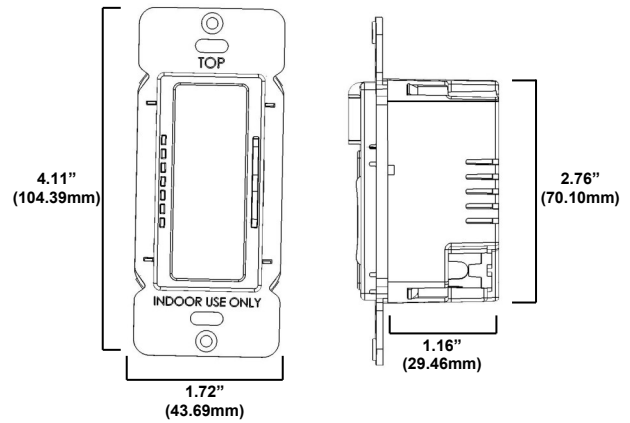
### How to Order

Model No.	Description	Input Voltage
PSC-DM-WS-100-BLE-XX	Bluetooth mesh wall switch	120-277 VAC, 60Hz
<b>Please indicate Suffix for options on -XX:</b>		
-SR / -FSR	For Bluetooth Mesh in TruBlu™ Enabled Version / For Bluetooth Mesh in Future-Silvair Enabled	
-CB	For Bluetooth Mesh in Casambi Enabled Version	

Summary	
Product Type	Dimmer Wall Switch
Input Voltage	120-277 VAC, 50/60Hz
Max Bluetooth Range*	49 ~ 65ft (15 ~ 20m)
Time Delay	Varies
Photocell Sensitivity	NA
Operating Temperature	0° to 55°C
Storage Temperature	-10° to 60°C
Relative Humidity	95% non-condensing
Mounting	Standard wall box
Color	White
Warranty	5 years

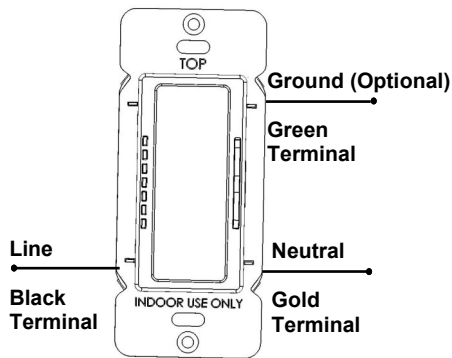
\*Bluetooth Range is highly dependent on the integration of fixtures, surrounding environment and conditions. It is recommended to conduct testing for range accuracy.

**Physical Dimensions**



Drawings are Not to Scale

**Wiring Diagram**



**SMART WIRELESS CONTROL**

**Settings Adjustment**

Configurable through Bluetooth App

**Time Delay 1**

Default position: 5 sec (Test mode)

**Time Delay 2**

Default position: 10 sec (Test mode)