

PSC-DM-I-WS-100-BLE-CB Series | Wireless Motion Sensor Dimmer Wall Switch

**Basic Features**

- PIR Sensor
- Casambi Bluetooth Mesh
- Manual on/off (wireless)
- Dim up/down (wireless)
- LED status indicator light
- Mounts in any standard wall box
- Color: white



Suitable for Indoor Use Only



**Applications**

PSC-DM-I-WS-100-BLE-CB Bluetooth mesh wall switches provide automatic lighting control for a variety of indoor applications. They can replace any standard single-pole wall switch.

PIR detection is best suited for areas with (1) clear line of sight, and (2) good air circulation. Typical applications include classrooms, copy rooms, offices, conference rooms, and private restrooms.

Control Purpose: Operating  
 Control Construction: Independently mounted for flush panel mounting  
 Pollution Degree: PD2, Indoor  
 Impulse Voltage: 4000 V  
 Action Type: 1

**Operation**

**Proprietary Casambi Bluetooth Mesh:** The device connects to a Bluetooth mesh network to control all of the lights in a specific zone. The unit also functions as a dimmer to override the pre-configured motion sensor settings

End Users can program length of time delays, fade time, and other settings using Android or iOS apps.

The device will be configured for standard default settings. The user can override these settings using the Bluetooth app to custom tailor their application.

See [McWong\\_Casambi Commissioning User Manual](#) for more info.

**Summary**

Sensor Type:  
PIR occupancy sensor

Input Voltage | Power Consumption:  
120-277 VAC, 50/60Hz | Max 1.5W

Mounting:  
Standard wall box

Max Range<sup>1</sup>:  
40 ft @ 4ft mounting height  
(12.2m @ 1.2m mounting height)

Max Bluetooth Range<sup>2</sup>:  
30ft (9.14m)

Operating Temperature:  
0° to 55°C

Storage Temperature:  
-10° to 60°C

Relative Humidity:  
90-95% non-condensing at 30°C

Color: White

Warranty: 5 years

Note:

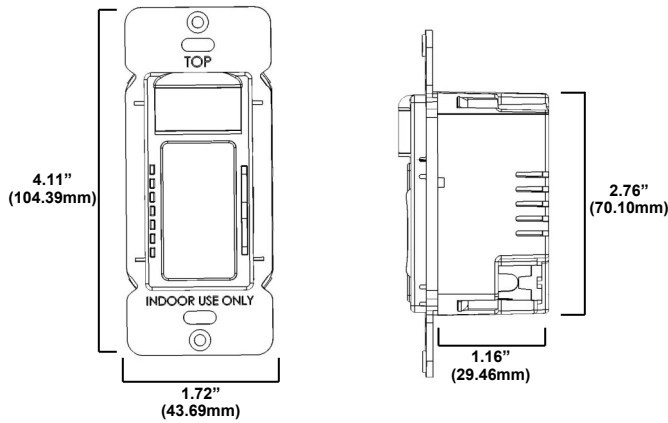
1. The application/absolute range of the sensor is subject to variation because of different types of clothing, backgrounds, and ambient temperature. It is recommended to conduct testing for detection range accuracy.

2. Bluetooth Range is highly dependent on the integration of fixtures, surrounding environment and conditions. It is recommended to conduct testing for range accuracy.

**How to Order**

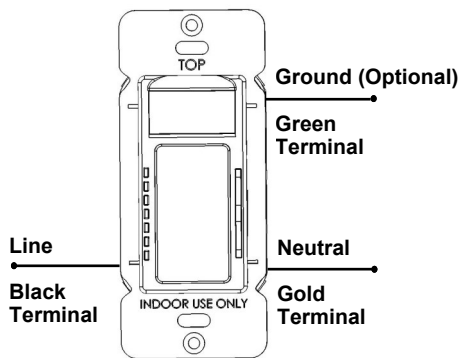
Model No.	Description	Input Voltage
PSC-DM-I-WS-100-BLE-CB	Wireless PIR Dimmer Wall Switch Occupancy Sensor, Casambi Bluetooth Mesh	120-277 VAC, 60Hz

**Physical Dimensions**

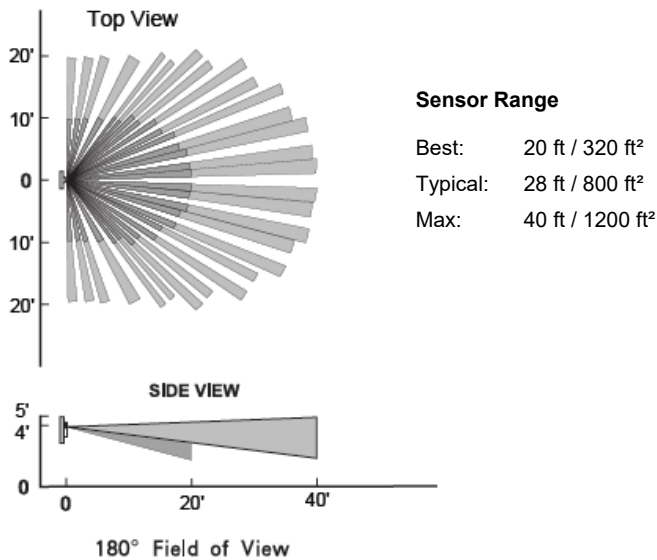


Drawings are Not to Scale

**Wiring Diagram**



**Detection Area**



Design and specifications are subject to change without notice.