

# Wireless Occupancy Sensor Dimming Wall Controller

## Overview

- Passive Infrared (PIR) Occupancy Sensor
- Casambi Wireless Mesh
- Manual on/off (wireless)
- ioXt Alliance Cybersecurity Certification
- Dim up/down (wireless)
- LED Status Indicator Light
- Mounts in any Standard Wall Box
- Color: White



Suitable for Indoor Use Only



## Applications

McWong's one button wall controller with raise/lower toggle (PSC-DM-I-WS-100-BLE-CB) communicates with Casambi Wireless mesh network devices to provide light level control to lighting in the space. The controller can be installed in a standard single gang wall box.

PIR detection is best suited for areas with clear line of sight. Typical applications include classrooms, copy rooms, private offices, conference rooms, and private restrooms.

Typical applications include public restrooms, private offices, classrooms, conference rooms, storage spaces, and break rooms.

## Operation

**Casambi Wireless Mesh Controls:** The Wall Control connects to a wireless mesh network via a mobile app, available as iOS or Android, to allow initial setup and subsequent parameters adjustments.

**User Interface:** Using the mobile app, features include: setup, control real time feedback, and scheduling without a gateway or internet access.

See the McWong Casambi Commissioning User Manual for more information.

## Summary

Sensor Type:  
PIR Occupancy/Vacancy Sensor Dimmer

Input Voltage | Power Consumption:  
120-277 VAC, 50/60Hz | Max 1.5W

Mounting:  
Standard wall box

Max Range:  
40 ft @ 4ft mounting height  
(12.2m @ 1.2m mounting height)

Max Bluetooth Range<sup>1</sup>:  
30ft (9.14m)

Operating Temperature:  
0° to 55°C

Storage Temperature:  
-10° to 60°C

Relative Humidity:  
90-95% non-condensing at 30°C

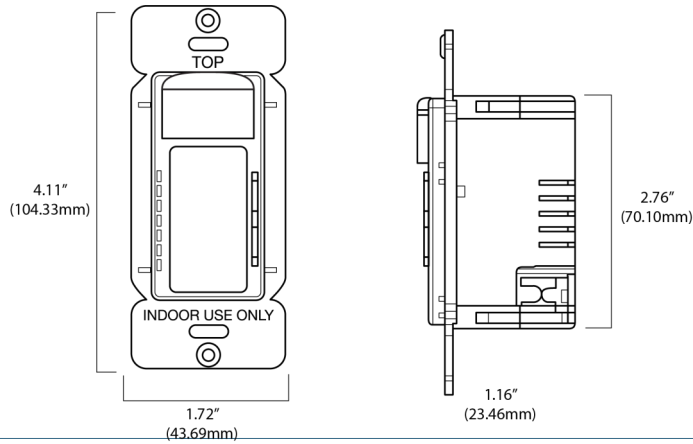
Color: White

Warranty: 5 years

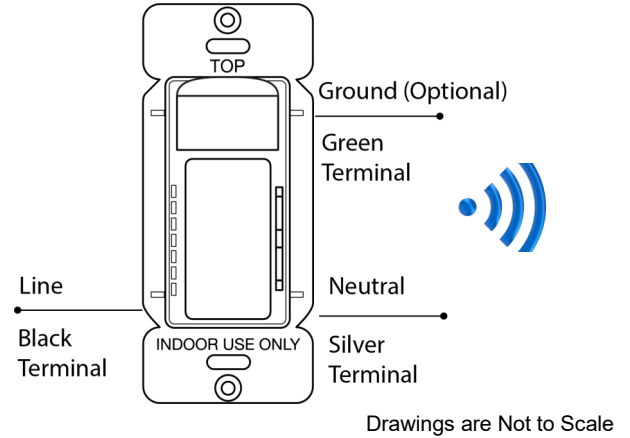
Note:  
1. Wireless Range is highly dependent on the integration of fixtures, surrounding environment and conditions. It is recommended to conduct testing for range accuracy.

Project	
Location/Type	

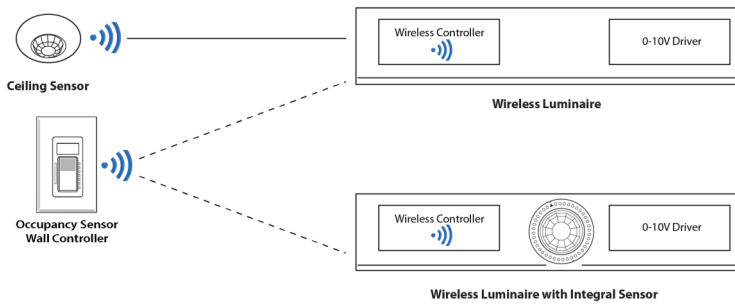
**Physical Dimensions**



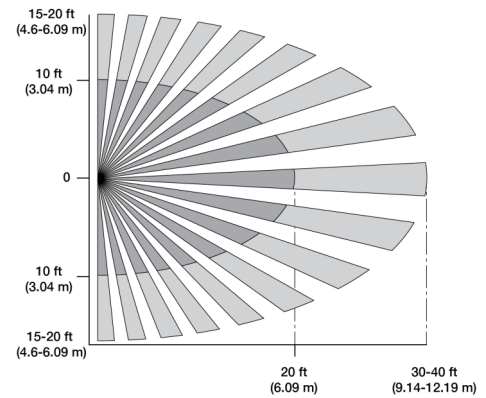
**Wiring Diagram**



**Examples**

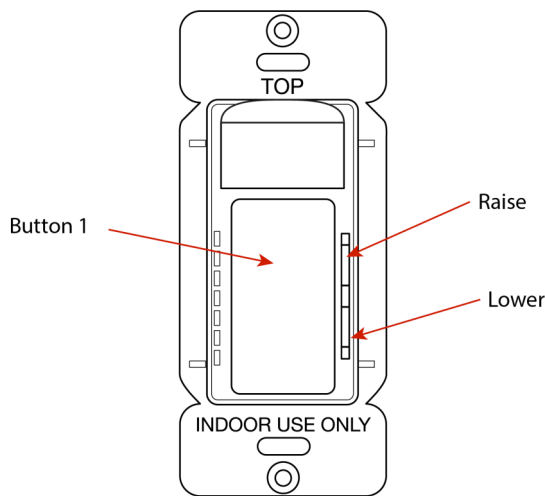


**Detection Area**



Drawings are not to scale

**Wireless Manual Control**



**Button 1 for On/Off:**

Short press - AUTO/ON

Second Short press - OFF

Auto = Resume automatic control; turns on the automatic settings for luminaires (defined by the settings profile).

**For dimming:**

Top - Raise Rocker

Bottom - Lower Rocker

**Factory reset:**

Press and hold Button together with Rocker at top and bottom for 10 sec. The device returns to an un-provisioned state.

**How to Order**

Model No.	Description	Input Voltage
PSC-DM-I-WS-100-BLE-CB	Wireless PIR Occupancy Sensor Dimming Wall Controller, Casambi Wireless Mesh, (decorator faceplate not included)	120-277 VAC, 60Hz

Design and specifications are subject to change without notice.