

PSC-ZAD-WCM-200-BLE-CB | Wireless Fixture Controller-DALI Color Tuning

Overview

- Compliance with D4i specifications for intra-luminaire DALI
- Casambi Bluetooth Mesh
- High-End Trim, Zoning, Continuous Bi-level Dimming, Scheduling, Color Tuning when pairing with DALI driver
- Zhaga Book 18 Connector
- Outdoor and Indoor rated



*Receptacle not included

Applications

The Wireless Fixture Controller-DALI allows to communicate with DALI Control Gear, it is made to fit into a Bluetooth mesh system by converting standard Bluetooth mesh protocol to DALI protocol.

This controller is suitable for a variety of indoor and outdoor applications. It is IP 65 rated for use in temperatures ranging from -40° to 70°C.

The Bluetooth mesh module allows for wireless dimming of D4i Driver and seamless integration of Bluetooth mesh software solutions. The physical form is intended to be paired with the Zhaga Book18 receptacle.

Wireless Control Operation

Proprietary Casambi Bluetooth Mesh: The unit can pair with an Android or iOS application to allow initial setup and subsequent adjustments. End users can program dimming levels and group multiple controllers into a Bluetooth Mesh system for simultaneous wireless lighting control.

DALI Communication: PSC-ZAD-WCM-200-BLE-CB allows for DALI Control Gear pairing with Bluetooth mesh system.

See [McWong_Casambi Commissioning User Manual](#) for more info.

Summary

Product Type:
Wireless Fixture Controller

Input Voltage | Current Consumption:
24 VDC | 100 mA

DALI:
Compliance with D4i specifications for intra-luminaire DALI

Mounting:
Fixture Mount, Zhaga Book18 Receptacle

Max Bluetooth Range¹:
49 ~ 65ft (15 ~ 20m)

Operating Temperature:
-40° C to 70° C

Storage Temperature:
-40° C to 85° C

Relative Humidity:
90-95% non-condensing at 30°C

Color: Black / Dark Brown

Warranty: 5 years

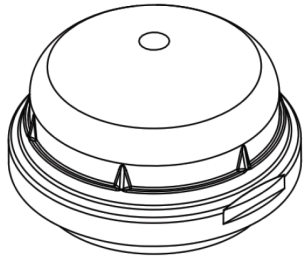
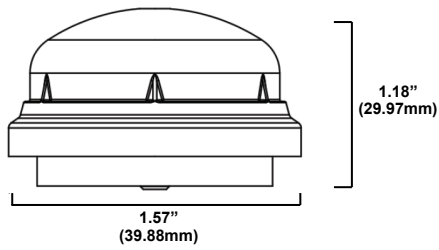
Note:

1. Bluetooth Range is highly dependent on the integration of fixtures, surrounding environment and conditions. It is recommended to conduct testing for range accuracy.

How to Order

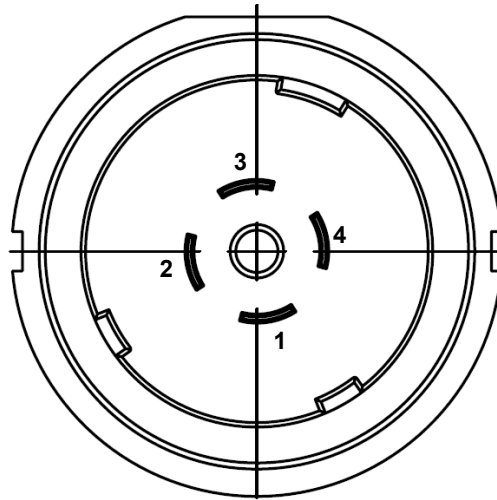
Model No.	Description	Input Voltage	Output
PSC-ZAD-WCM-200-BLE-CB	Fixture Controller w/ DALI, Color Tuning, Casambi Bluetooth Mesh	24VDC	DALI

Physical Dimensions



Drawings are Not to Scale

Wireless Block Diagram:



Contact Module	Contact Receptacle	Assignment
1	1	<ul style="list-style-type: none"> • +24 V AUX Power Supply
2	2	<ul style="list-style-type: none"> • DA- (Negative pole for the DALI communication and power) • GND for +24V AUX Power Supply
3	3	<ul style="list-style-type: none"> • DA+ (Positive pole for the DALI communication and power)
4	4	<ul style="list-style-type: none"> • Not connected

Design and specifications are subject to change without notice.