

# PSC-BL-I-RT-DC0-BLE-CB | Wireless Dimming PIR Sensor

## Overview

- PIR sensor
- Casambi Bluetooth Mesh
- High-End Trim, Zoning, Continuous Bi-level Dimming, Scheduling
- LED Motion indicator
- Active High/Low outputs for Relay drive
- Mounting height of 10ft (3m).
- 360° coverage pattern



Suitable for indoor use only



## Summary

Sensor Type:  
PIR occupancy sensor

Input Voltage | Current Consumption:  
12-24 VDC | 50 mA

0-10V Output: 100 mA

High: Vin-2.5 V 100 mA source

Low: 100 mA sink current

Mounting Height:  
Fixture or ceiling mount at 10ft (3m)

Max Range <sup>1</sup>:  
10ft (3m) radius

Max Bluetooth Range <sup>2</sup>:  
49 ~ 65ft (15 ~ 20m)

Operating Temperature:  
-30° C to 70° C

Storage Temperature:  
-40° C to 80° C

Relative Humidity:  
90-95% non-condensing

Color: White

Warranty: 5 years

### Note:

1. The application/absolute range of the sensor is subject to variation because of different types of clothing, backgrounds, and ambient temperature. It is recommended to conduct testing for detection range accuracy.

2. Bluetooth Range is highly dependent on the integration of fixtures, surrounding environment and conditions. It is recommended to conduct testing for range accuracy.

## Applications

The PSC-BL-I-RT-DC0-BLE-CB uses digital PIR Motion Detector Architecture and Dual Element passive infrared (PIR) technology for improved detection coverage for indoor ceiling and fixture mount applications.

The PSC-BL-I-RT-DC0-BLE-CB is a Class 2 Device designed to satisfy new CA Title 24 requirements for bi-level dimming\* of lighting fixtures.

The sensor is suitable for a variety of indoor applications. It supports fixture and ceiling mounts up to 10ft (3m) high. Both sensor and power pack are rated for use in temperatures ranging from -30° to 70° C and relative humidity from 90 to 95% at 30° C.

\*For dim to off, Pacific PSC-AC-PP-200/700C/900 Power Pack or LED dimming driver capable of dimming to off is required.

## Sensor Operation

**Proprietary Casambi Bluetooth Mesh:** The sensor can pair with an Android or iOS application to allow initial setup and subsequent sensor adjustments. The mobile application enables adjustment of sensor parameters such as time delay, dim level, and more. Additionally, features such as parameter profiles, manual dim control, and real-time feedback from the sensor can speed up configuration and provide custom user control.

**Bi-level Dimming:** 0-10V bi-level dimmer connects to 0-10V control on the LED driver.

**Relay Control:** Two additional High and Low control outputs can be used to trigger relays or other control circuitry.

See PacWave\_Casambi Commissioning User Manual for more info.

## Accessories

**Power Pack:** The PSC-BL-I-RT-DC0-BLE-CB operates on 12-24 VDC input and requires a separate power pack such as the PacWave™ PSC-AC-PP-200/400/700C/800/900.

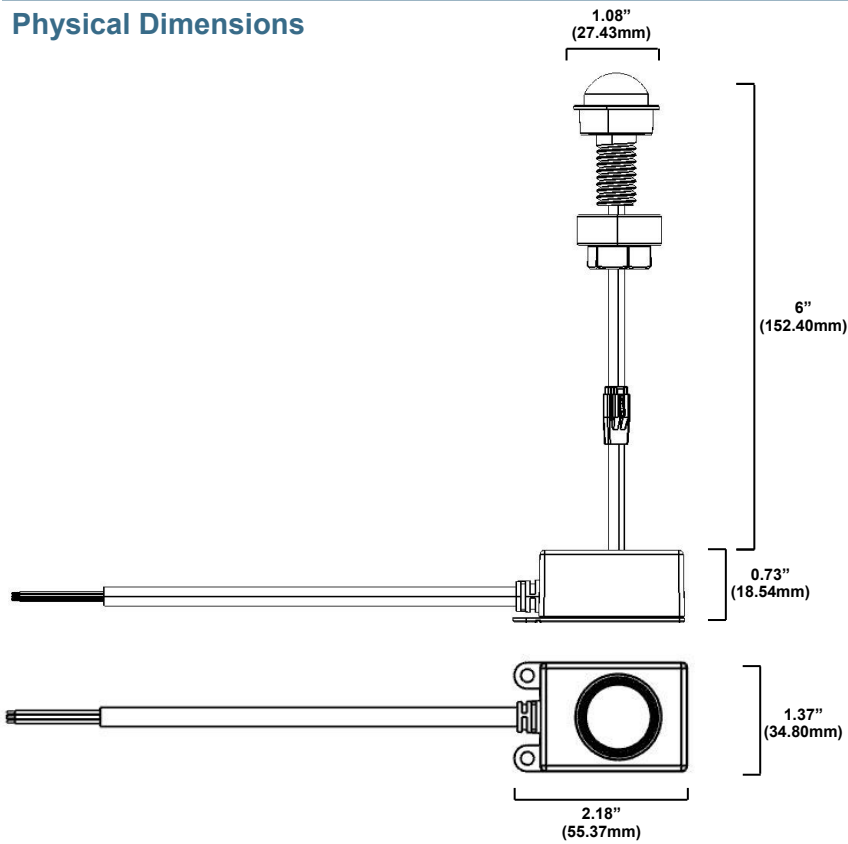
Alternatively, the sensor can also operate with a driver that has an auxiliary output (12 V).

## How to Order

For Line to Low Voltage Power Supply/Controller, please check PacWave™ PSC-AC-PP-200/400/700C/800/900.

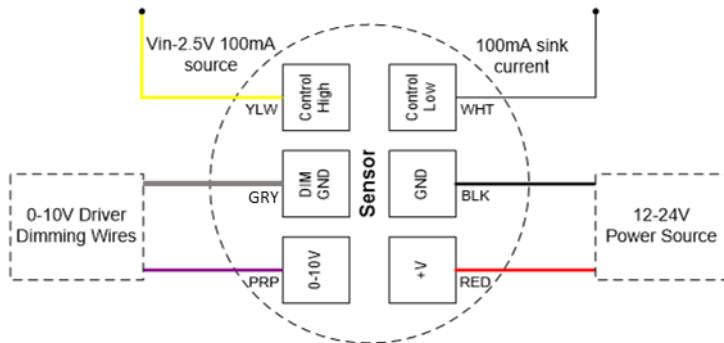
Model No.	Description	Input Voltage	Output
PSC-BL-I-RT-DC0-BLE-CB	Passive Infrared (PIR) Remote Mount Occupancy Sensor, Casambi Bluetooth Mesh	12-24VDC	0-10VDC Control High Control Low

**Physical Dimensions**



Drawings are Not to Scale

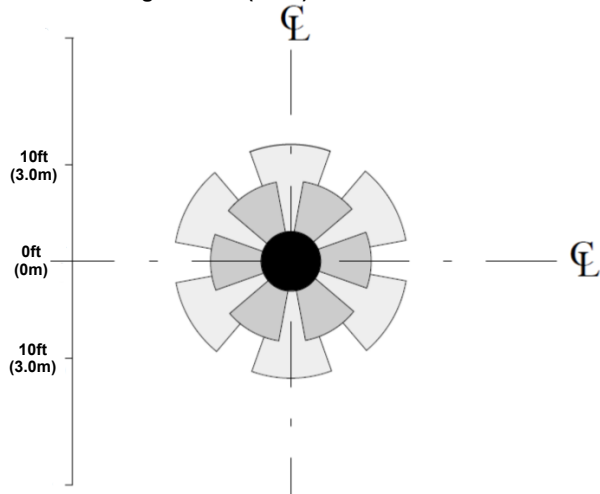
**Wiring Diagram**



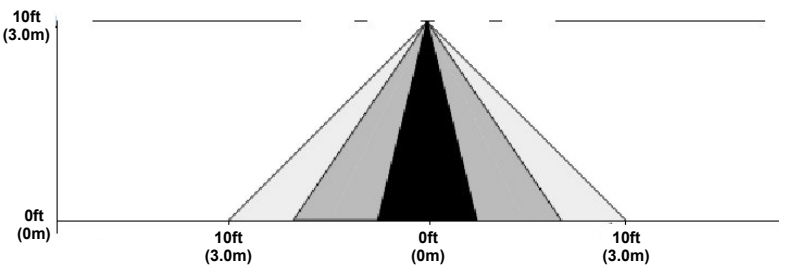
Note: If using a power pack other than PSC-AC-PP-200, connect either Control Hi or Control Low, depending on power pack relay circuitry.

**Detection Area**

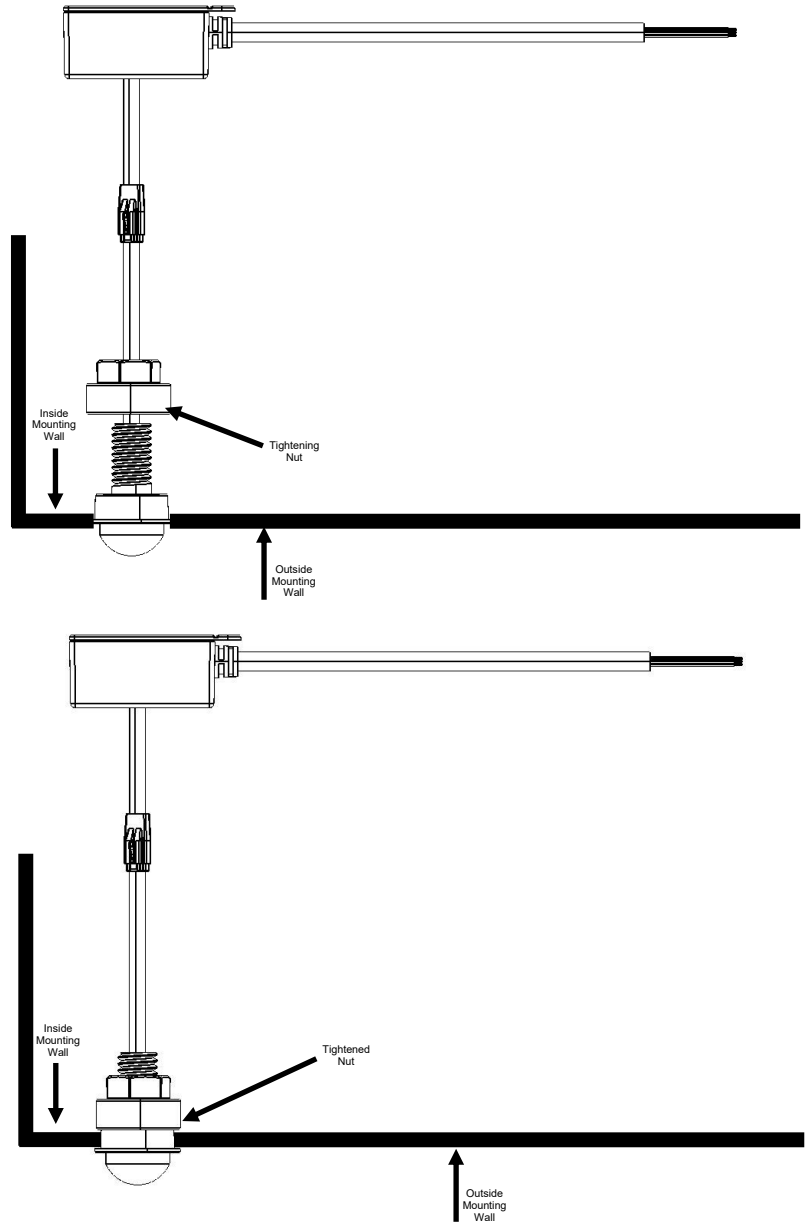
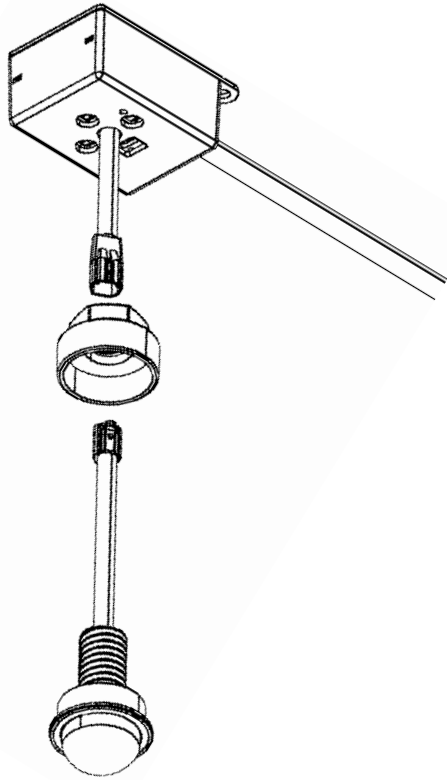
**Floor Coverage at 10 ft (3.0m)**



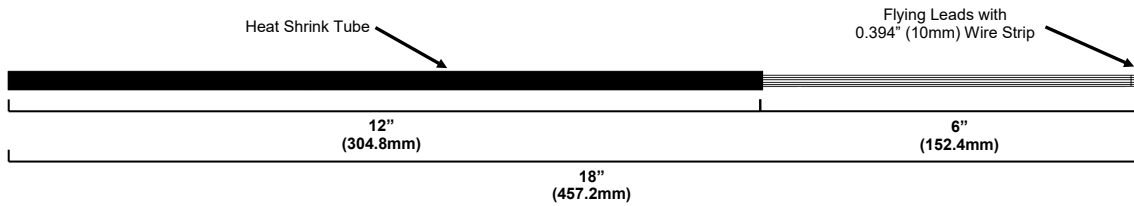
**Side View**



Installation



**Leads:** Minimum 22AWG



Tolerance  $\pm 1"$  (25.4mm)

Design and specifications are subject to change without notice.