

Wireless Single Channel Fixture Controller



Overview

- 1 Channel 0-10VDC Dimming
- Mount in Fixture
- Casambi Wireless Mesh
- High-End Trim, Zoning, Continuous Dimming
- Active High Output for Relay drive
- ioXt Alliance cybersecurity certification

Suitable for indoor use only

Applications

The PSC-WCM-50-BLE-CB Wireless Fixture Controller allows for one channel of 0-10 dimming, and high relay control. This unit is controlled wirelessly via Casambi Mesh technology allowing for wireless dimming of LED lighting. The compact size allows for seamless integration mounting in the light fixture

Accessories

Power Pack: The PSC-WCM-50-BLE-CB operates on 12-24VDC.

These fixture controllers require a separate power pack such as the McWong PacWave™ PSC-AC-PP-200/400/700C/800/900.

Alternatively, the unit can also operate with a driver that has an auxiliary output (12 V).

Operation

Casambi Wireless Mesh Controls: The controller connects to a Low Energy (BLE) wireless mesh network via a mobile app, available as iOS or Android, to allow initial setup and subsequent parameters adjustments.

User Interface: Using the mobile app, features include: setup, control real time feedback, and scheduling without a gateway or internet access.

1 Channel Dimming: allows for one 0-10 dimming channel for zone control.

Relay Control: High control output can be used to trigger relays or other control circuitry.

See the McWong Casambi Commissioning User Manual for more information.



Summary

Product Type:
1 Channel Fixture Controller

Input Voltage | Current Consumption:
12-24 VDC | 100 mA

0-10V Output 100 mA

Output: Control High—Vin-2.5 V
100 mA source for sensor or relay

Mounting: Fixture Mount

Max Wireless Range¹:
100ft (30.4m)

Operating Temperature:
-30° C to 70° C

Storage Temperature:
-40° C to 80° C

Relative Humidity:
90-95% non-condensing

Color: White

Warranty: 5 years

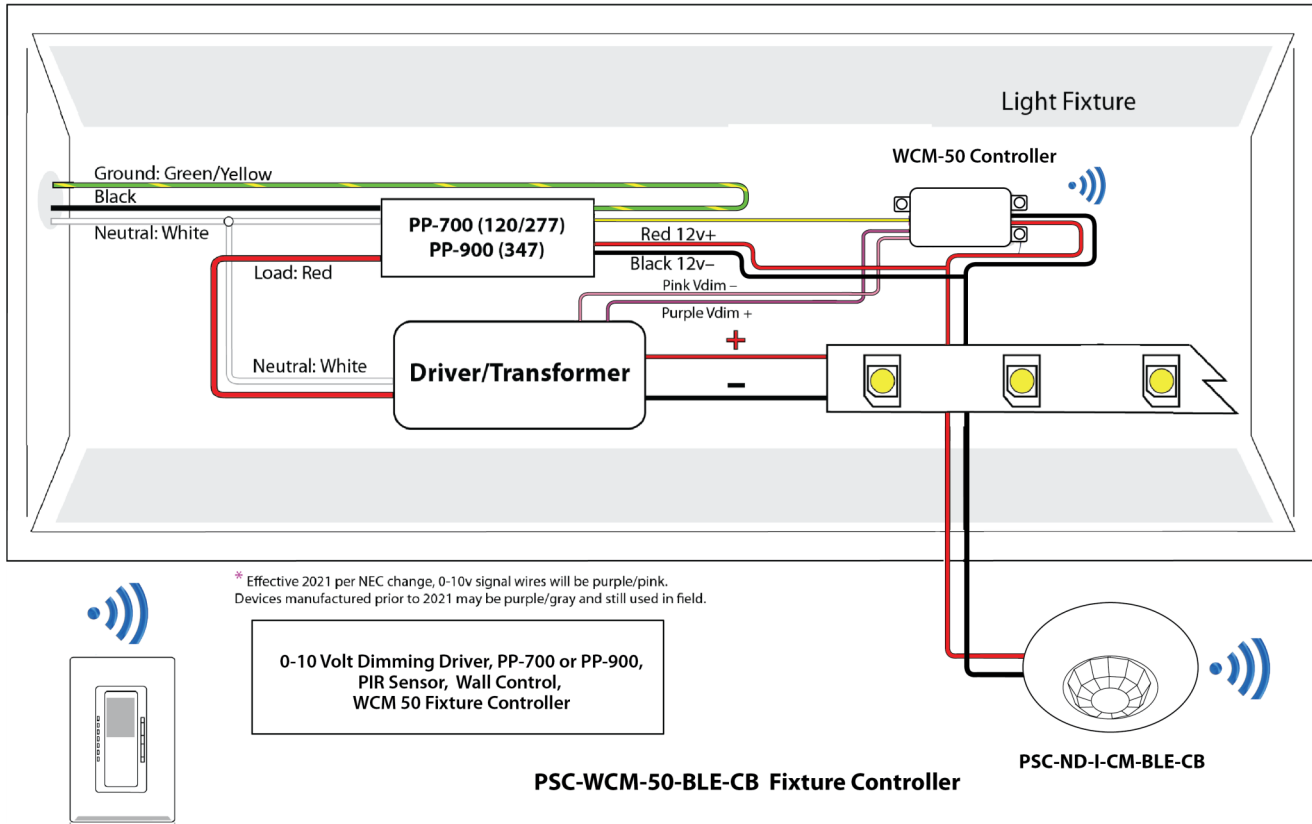
Note:

1. Wireless Range is highly dependent on the integration of fixtures, surrounding environment and conditions. It is recommended to conduct testing for range accuracy.

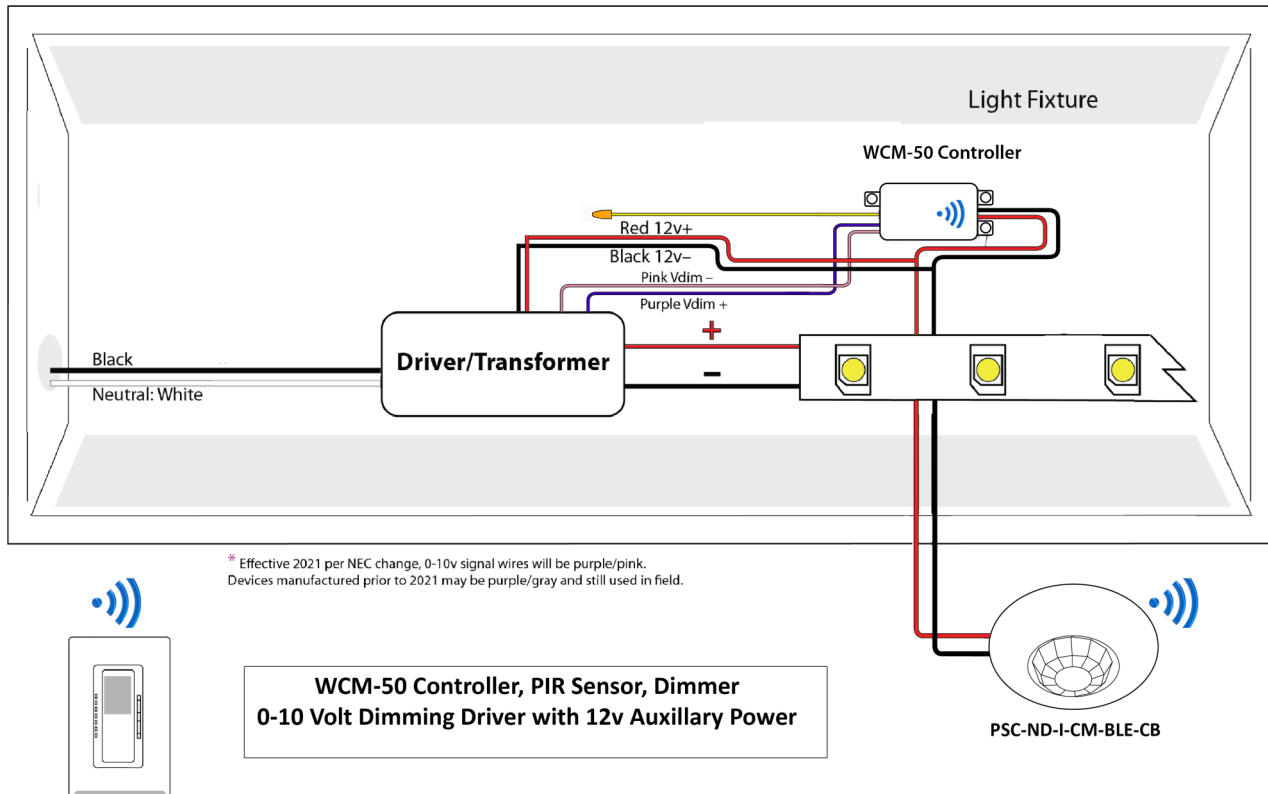
Project

Location/Type

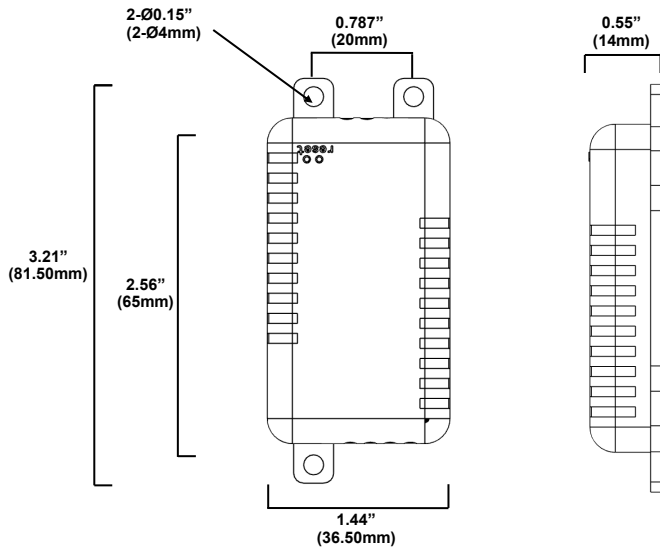
Wiring



Wiring Dim to Off Driver with 12v Auxiliary Power

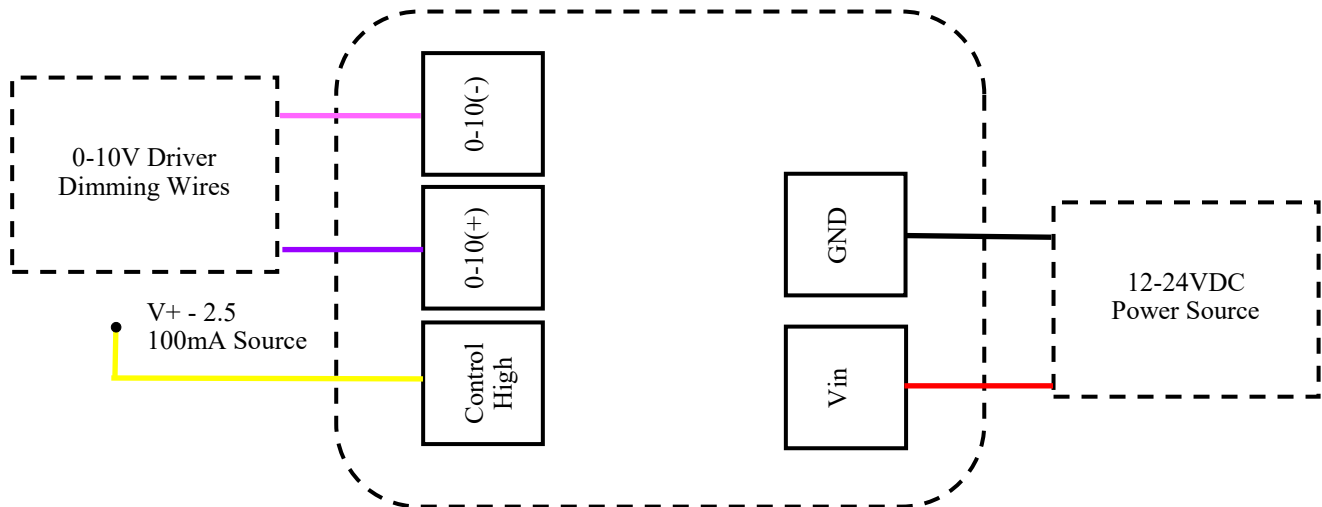


Physical Dimensions



Drawings are Not to Scale

Wiring Block Diagram



How to Order

Model No.	Description	Input Voltage	Output
PSC-WCM-50-BLE-CB	Fixture Controller, Single Channel, Casambi Wireless Mesh	12-24 VDC	0-10V, 100mA Control High

For Line to Low Voltage Power Supply/Controller, please check McWong PacWave™ PSC-AC-PP-200/400/700C/800/900. Design and specifications are subject to change without notice.