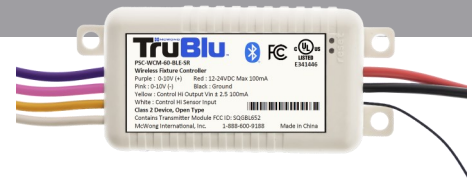


Wireless Single Channel Fixture Controller



Suitable For indoor Use Only

Overview

- 1-Channel 0-10VDC Dimming
- Mounts In Fixture Or Electrical Enclosure
- Bluetooth® SIG mesh
- High-End Trim, Zoning, Continuous Dimming
- Active High Output For Sensor Or Relay Drive
- Sensor Input
- Conforms With DLC NLC5 Cybersecurity Standards

Applications

The PSC-WCM-60-BLE-SR Wireless Fixture Controller features a sensor input, a control output for relay load control and one channel of 0-10V dimming.

PSC-WCM-60-BLE-SR is controlled wirelessly via Bluetooth® Mesh technology allowing for wireless dimming of LED lighting. The compact size allows for seamless integration to the fixture.

Accessories

Power Pack: The PSC-WCM-60-BLE-SR operates on 12-24 VDC input and requires a separate McWong PacWave™ power pack. See McWong PacWave™ Power Pack data sheets.

Alternatively, the unit can also operate with a driver that has an auxiliary output (12-24VDC).

Operation

TruBlu™ Mesh Controls: Qualified by Bluetooth SIG for its Bluetooth Mesh 1.0.1 specification, the controller connects to a Bluetooth mesh network and is accessed via the TruBlu web portal or mobile app for initial design, setup and scheduling, as well as subsequent parameter adjustments.

Advanced functionality such as energy monitoring, and demand response is available with the optional TruBlu Gateway (sold separately).

1-Channel Dimming: Allows for one 0-10V dimming channel for zone control.

Relay Control: Control Output (active high) can be used to trigger relays or other control circuitry.

Sensor Input: 10-22VDC sensor input for interfacing sensors into Bluetooth Mesh systems.

See the TruBlu™ Commissioning User Manual for more information.



Summary

Product Type:
1-Channel Fixture Controller

Input Voltage | Current Consumption:
12-24 VDC | 100 mA

Sensor Input: 8-24VDC

0-10V Output 30 mA

Control Output: Active High—Vin-2.5 V
30mA source for sensor or relay

Mounting: Fixture Mount

Max Bluetooth Range¹:
100ft (30.4m)

Operating Temperature:
-30° C to 70° C

Storage Temperature:
-40° C to 80° C

Relative Humidity:
90-95% non-condensing

Color: White

Warranty: 5 years

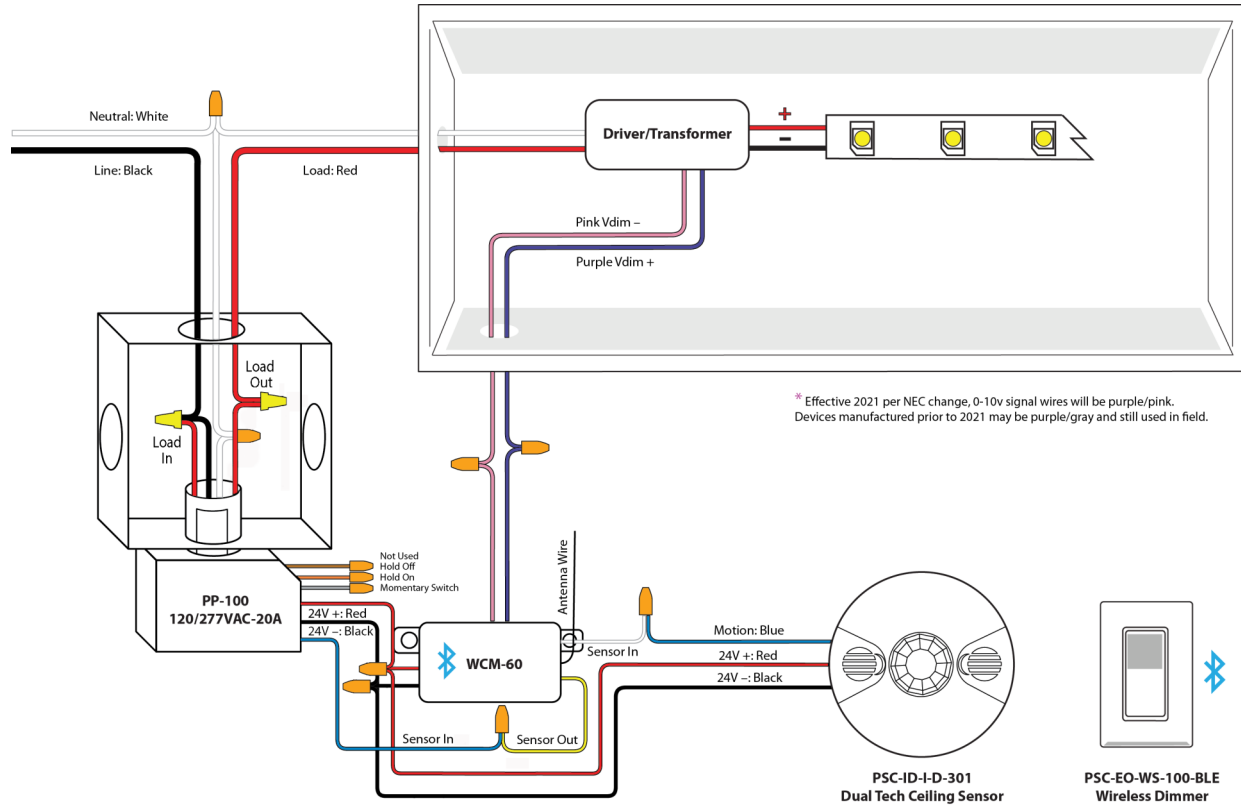
Note:

1. Bluetooth Range is highly dependent on the integration of fixtures, surrounding environment and conditions. It is recommended to conduct testing for range accuracy.

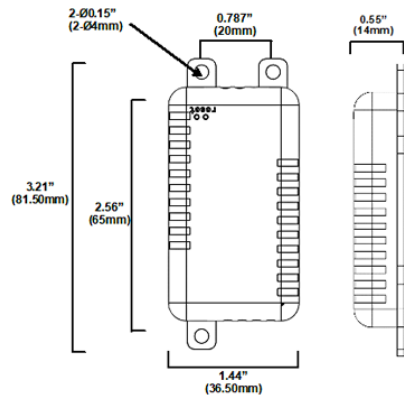
Project

Location/Type

Example Application: Controller Installed With Power Pack, Wired Sensor And Wireless Switch



Physical Dimensions



Drawings Are Not To Scale

Wiring Table

Wire	Designation	Notes	Size
Black	12-24VDC- Power Input	Power Input	#18 AWG, 180+/-20mm, Strip 10mm Tin Plated
Red	12-24VDC+ Power Input	Power Input	
Purple (Violet)	0-10VDC+ Dim Output	Luminaire Control Output	#22 AWG, 180+/-20mm, Strip 10mm Tin Plated
Pink/Gray	0-10VDC- Dim Output	Luminaire Control Output	
Yellow	10-22VDC Control Output	Output for Controlling Power Pack or Similar Devices (Active High 30mA)	
White	12-24VDC Control Input	Control Input from Sensor or Similar Device (Active High)	

How to Order

Model No.	Description	Input Voltage	Output
PSC-WCM-60-BLE-SR	Wireless Fixture Controller, Single Channel, Sensor Input, Bluetooth Mesh in TruBlu,™ Silvar Technology Partner	12-24 VDC	0-10V,30mA Control High

For line to low voltage power supply/controller, please see McWong PacWave™ power pack data sheets. Design and specifications are subject to change without notice..