

Wireless Single Channel Fixture Controller



Overview

- 1 Channel 0-10VDC Dimming
- Mounts In Fixture Or Electrical Enclosure
- Casambi Wireless Mesh
- High-End Trim, Zoning, Continuous Dimming
- Active High Output For Relay Drive
- Sensor Input
- ioXt Alliance Cybersecurity Certification

Suitable For Indoor Use Only

Applications

The PSC-WCM-60-BLE-CB Wireless Fixture Controller features a sensor input, a control output for relay load control and one channel of 0-10V dimming.

PSC-WCM-60-BLE-CB is controlled wirelessly via Casambi Mesh technology allowing for wireless dimming of LED lighting. The compact size allows for seamless integration to the fixture.

Accessories

Power Pack: The PSC-WCM-60-BLE-CB operates on 12-24 VDC input and requires a separate McWong PacWave™ power pack. See McWong PacWave™ Power Pack data sheets.

Alternatively, the unit can also operate with a driver that has an auxiliary output (12-24VDC).

Operation

Casambi Wireless Mesh Controls: The controller connects to a Low Energy (BLE) wireless mesh network via a mobile app, available as iOS or Android, to allow initial setup and subsequent parameters adjustments.

User Interface: Using the mobile app, features include: setup, control real time feedback, and scheduling without a gateway or internet access.

1-Channel Dimming: Allows for one 0-10 dimming channel for zone control.

Relay Control: Control Output (active high) can be used to trigger relays or other control circuitry.

Sensor Input: 10-22VDC sensor input for interfacing sensors into Casambi Mesh systems.

See the McWong Casambi Commissioning User Manual for more information.



Summary

Product Type:
1-Channel Fixture Controller

Input Voltage | Current Consumption:
12-24 VDC | 100 mA

Sensor Input: 8-24VDC

0-10V Output 30 mA

Control Output: Active High—Vin-2.5 V
30mA source for sensor or relay

Mounting: Fixture Mount

Max Bluetooth Range¹:
100ft (30.4m)

Operating Temperature:
-30° C to 70° C

Storage Temperature:
-40° C to 80° C

Relative Humidity:
90-95% non-condensing

Color: White

Warranty: 5 years

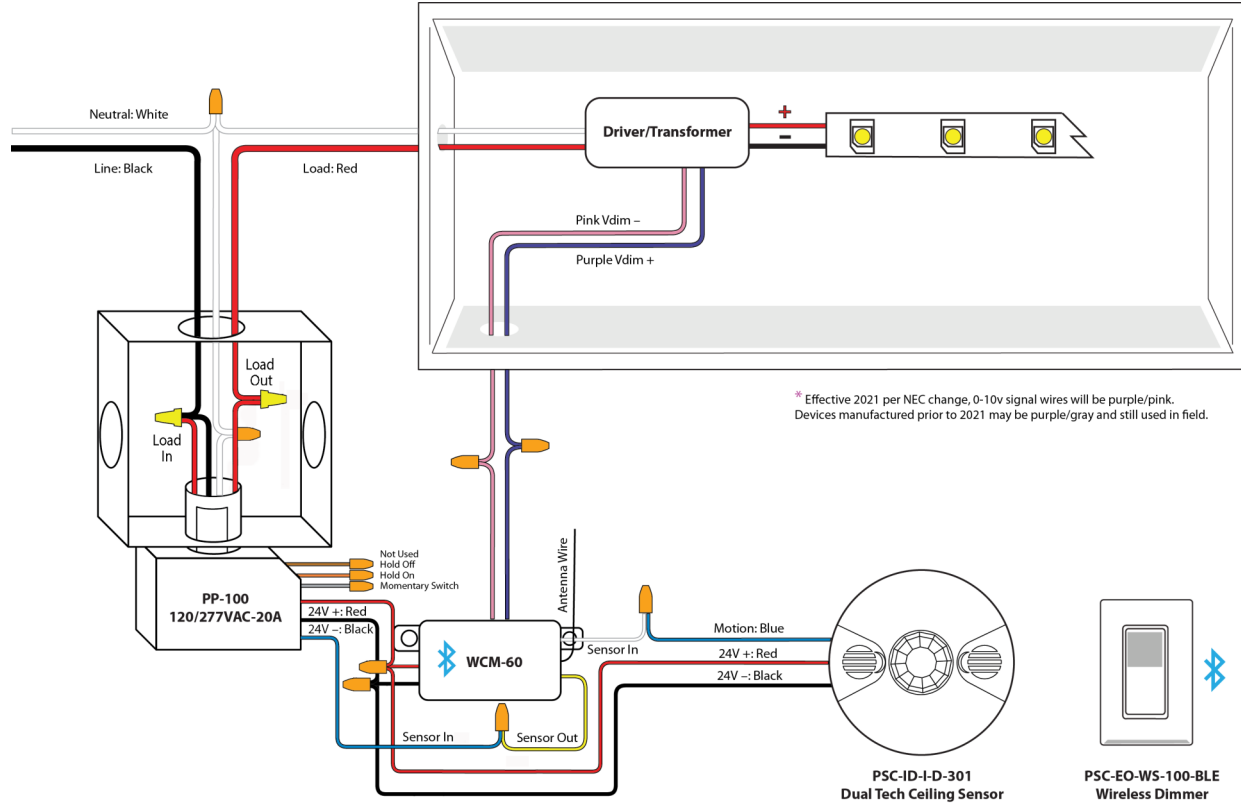
Note:

1. Wireless Range is highly dependent on the integration of fixtures, surrounding environment and conditions. It is recommended to conduct testing for range accuracy.

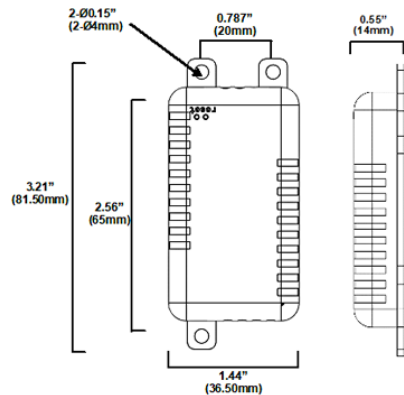
Project

Location/Type

Example Application: Controller Installed With Power Pack, Wired Sensor And Wireless Switch



Physical Dimensions



Drawings Are Not To Scale

Wiring Table

Wire	Designation	Notes	Size
Black	12-24VDC- Power Input	Power Input	#18 AWG, 180+/-20mm, Strip 10mm Tin Plated
Red	12-24VDC+ Power Input	Power Input	
Purple (Violet)	0-10VDC+ Dim Output	Luminaire Control Output	#22 AWG, 180+/-20mm, Strip 10mm Tin Plated
Pink/Gray	0-10VDC- Dim Output	Luminaire Control Output	
Yellow	10-22VDC Control Output	Output for Controlling Power Pack or Similar Devices (Active High 30mA)	
White	12-24VDC Control Input	Control Input from Sensor or Similar Device (Active High)	

How to Order

Model No.	Description	Input Voltage	Output
PSC-WCM-60-BLE-CB	Wireless Fixture Controller, Single Channel, Sensor Input, Casambi Wireless Mesh	12-24 VDC	0-10V, 30mA Control High

For Line To Low Voltage Power Supply/Controller, Please See McWong PacWave™ Power Pack Data Sheets Design And Specifications Are Subject To Change Without Notice.