

Wireless Self-Powered Dimming Wall Controller

Overview

- Bluetooth® SIG Mesh
- Self-powered
- Manual on/off (wireless)
- Dim up/down (wireless)
- Conforms with DLC NLC5 Cybersecurity Standards
- Tunable White
- Surface or Flush Mount or mounts in standard wall box
- Color: white



PSC-EO-WS-100-BLE

PSC-EO-WS-400-BLE

Suitable for Indoor Use Only



Applications

McWong's Wireless Self-powered wall controllers (PSC-EO-WS Series) provide automatic lighting control for a variety of indoor applications.

These devices do not require wires or batteries; they utilize an integrated micro-generator powered Bluetooth BLE transmitter to send a wireless signal.

Typical applications include private offices, open offices, classrooms, conference rooms and any application where running power or control wiring is impossible or undesirable. Standard decorator style opening allow for easy multi-gang installations.

Operation

TruBlu™ Mesh Controls: Qualified by Bluetooth SIG for its Bluetooth Mesh 1.0.1 specification, the wall controller connects to a Bluetooth mesh network and is accessed via the TruBlu web portal or mobile app for initial design, setup and scheduling, as well as subsequent parameter adjustments.

PSC-EO-WS Series Bluetooth Switches offer a familiar and convenient interface for communicating with compatible controllers.

The single-button unit provides ON/Raise and OFF/Lower for one zone of lighting.

The dual-button unit provides ON/Raise and OFF/Lower for one zone of lighting on the left switch. The right switch is for presets A (top) or preset B (bottom) or for tunable white - warm (top) cool (bottom).

These wall controls can also be programmed for override control for one or more zones.

See the TruBlu™ Commissioning User Manual for more information.

Summary

Product Type:
Wall Controller

Input Voltage | Power Consumption:
Self-powered

Mounting:
Surface or Flush Mount

Max Bluetooth Range¹:
30ft (9.14m)

Operating Temperature:
-25° to 65°C

Storage Temperature:
-25° to 65°C

Relative Humidity:
90-95% non-condensing at 30°C

Color: White

Warranty: 5 years

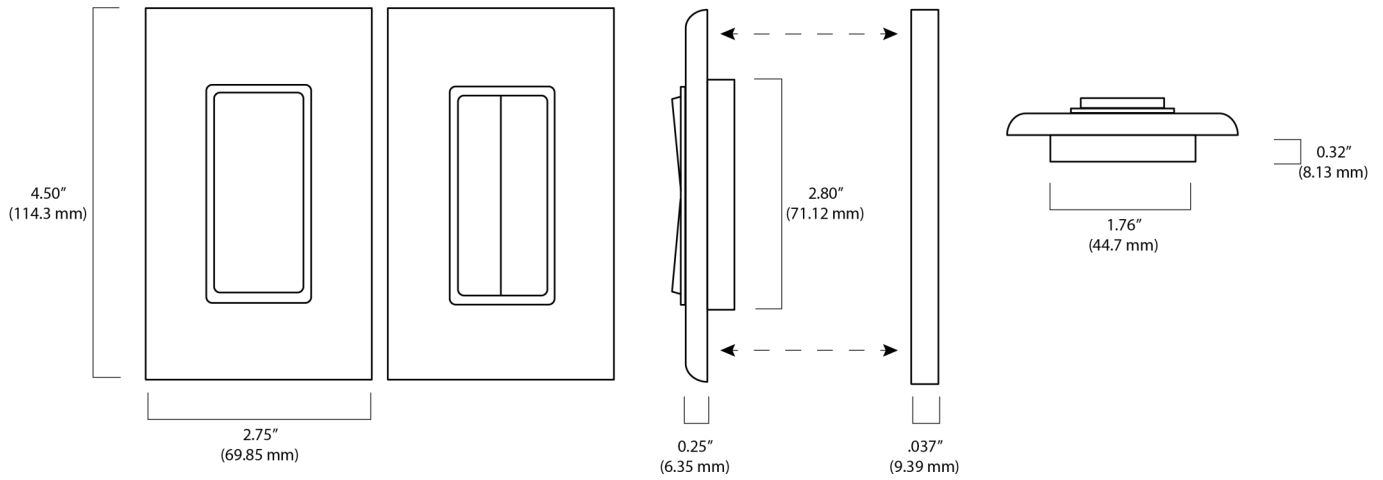
Note:

1. Bluetooth Range is highly dependent on the integration of fixtures, surrounding environment and conditions. It is recommended to conduct testing for range accuracy.

Project

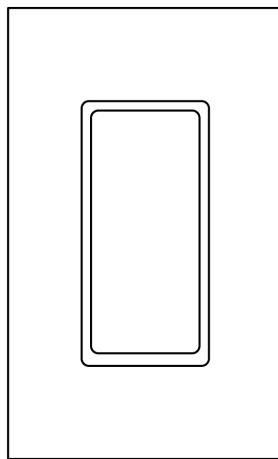
Location/Type

Physical Dimensions



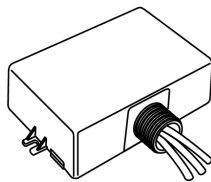
Drawings are not to scale

Wireless Manual Control

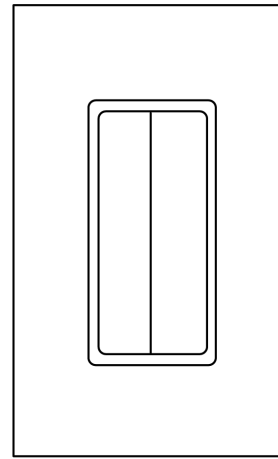


Tap ON
Press and Hold to Raise*

Tap OFF
Press and Hold to Lower*

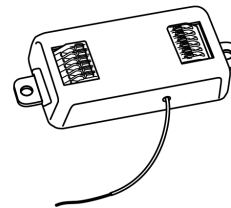


*Requires single-channel controller



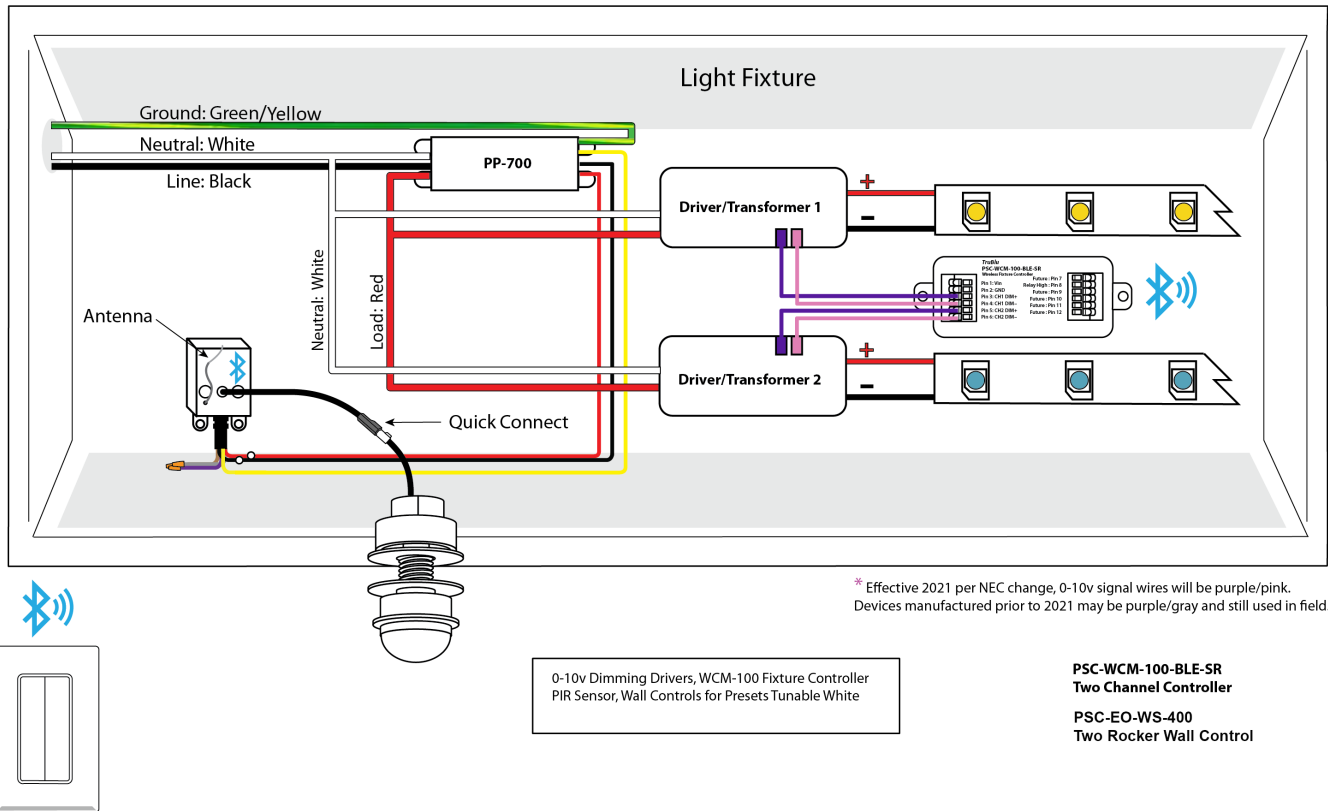
Scene A or
Warm Color*

Scene B or
Cool Color*



*Requires dual-channel controller

Example Application



How to Order

Model No.	Description
PSC-EO-WS-100-BLE	Wireless Single Rocker, 2 Buttons, Self-Powered Dimming Wall Controller, TruBlu, TM Silvair technology partner
PSC-EO-WS-400-BLE	Wireless Dual Rocker, 4 Buttons, Self-Powered Dimming Wall Controller, Scene Control, TruBlu, TM Silvair technology partner

Design and specifications are subject to change without notice.