

Wireless Single Channel Fixture Controller

Overview

- 1-Channel 0-10VDC Dimming
- Mounts in Fixture
- Bluetooth® SIG mesh
- High-End Trim, Zoning, Continuous Dimming
- Active High Output for Relay Drive
- Conforms with DLC NLC5 Cybersecurity Standards



Suitable for indoor use only

Applications

The PSC-WCM-50-BLE-SR Wireless Fixture Controller allows for one channel of 0-10 dimming and active high relay control.

PSC-WCM-50-BLE-SR is controlled wirelessly via Bluetooth® Mesh technology allowing for wireless dimming of LED lighting. The compact size allows for seamless integration to the fixture.

Accessories

Power Pack: The PSC-WCM-50-BLE-SR operates on 12-24VDC.

These fixture controllers require a separate power pack such as the McWong PacWave™ PSC-AC-PP-200/400/700C/800/900.

Alternatively, the unit can also operate with a driver that has an auxiliary output (12 V).

Operation

TruBlu™ Mesh Controls: Qualified by Bluetooth SIG for its Bluetooth Mesh 1.0.1 specification, the controller connects to a Bluetooth mesh network and is accessed via the TruBlu web portal or mobile app for initial design, setup and scheduling, as well as subsequent parameter adjustments.

Advanced functionality such as energy monitoring, and demand response is available with the optional TruBlu Gateway.

1 Channel Dimming: Allows for one 0-10V dimming channel for zone control.

Relay Control: High control output can be used to trigger relays or other control circuitry.

See the TruBlu™ Commissioning User Manual for more information.



Summary

Product Type:
1 Channel Fixture Controller

Input Voltage | Current Consumption:
12-24 VDC | 100 mA

0-10V Output 100 mA

Output: Control High—Vin-2.5 V
100 mA source for sensor or relay

Mounting: Fixture Mount

Max Bluetooth Range¹:
100ft (30.4m)

Operating Temperature:
-30° C to 70° C

Storage Temperature:
-40° C to 80° C

Relative Humidity:
90-95% non-condensing

Color: White

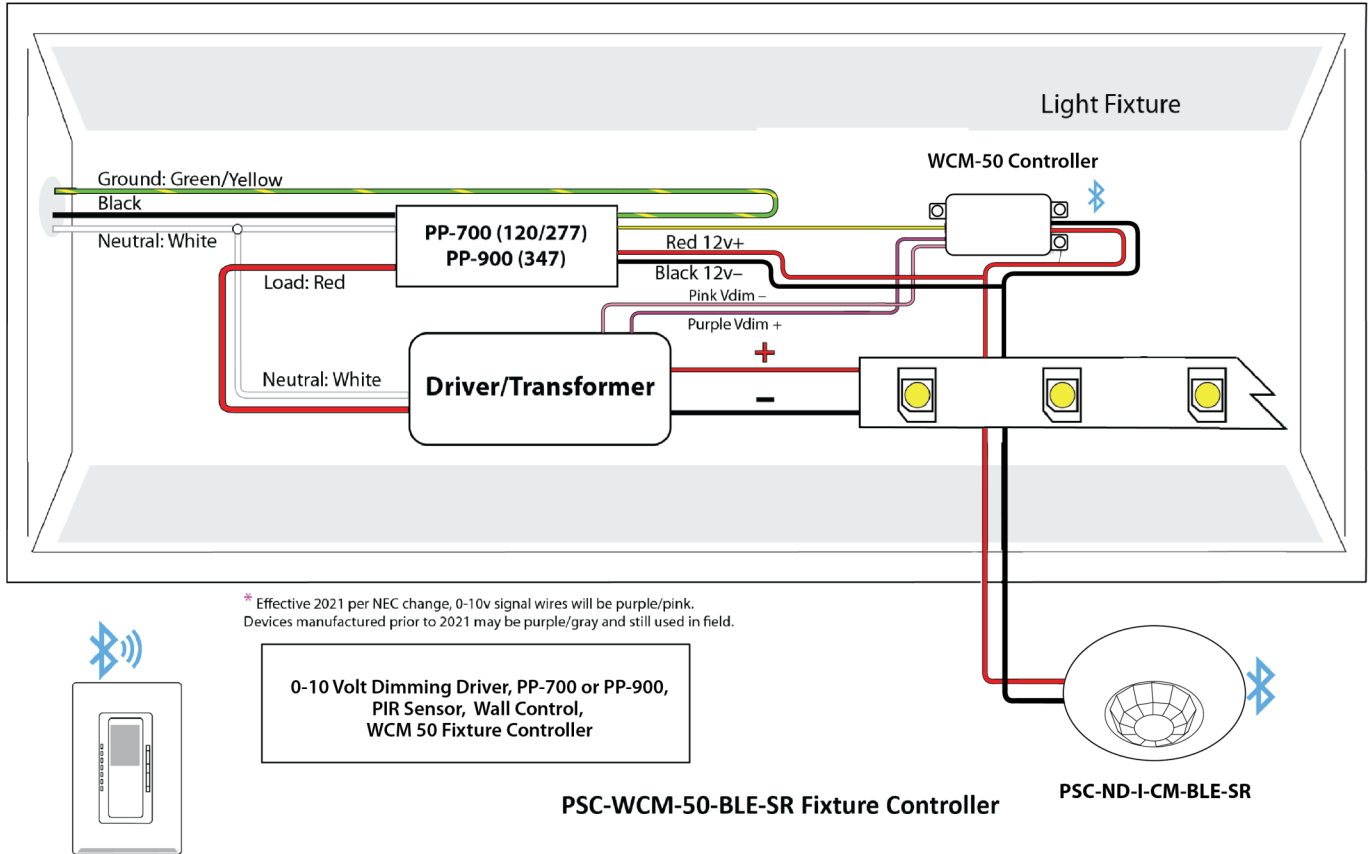
Warranty: 5 years

Note:

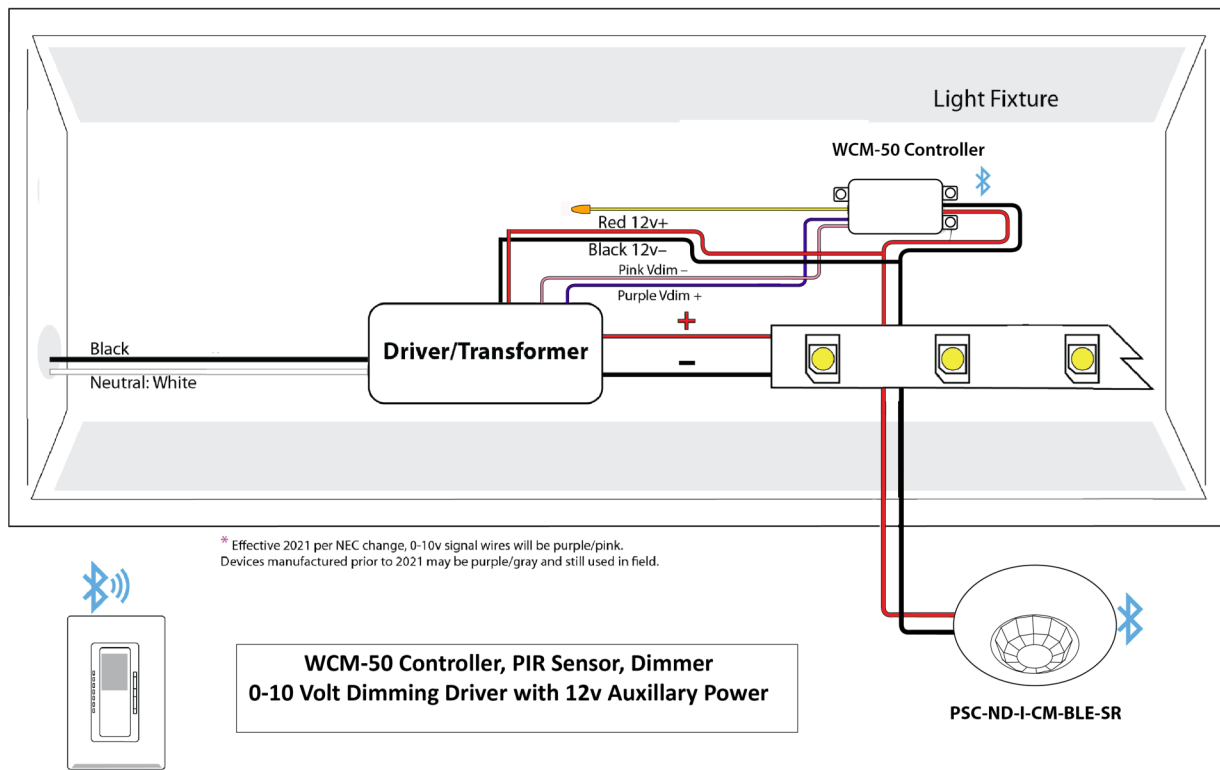
1. Bluetooth Range is highly dependent on the integration of fixtures, surrounding environment and conditions. It is recommended to conduct testing for range accuracy.

Project	
Location/Type	

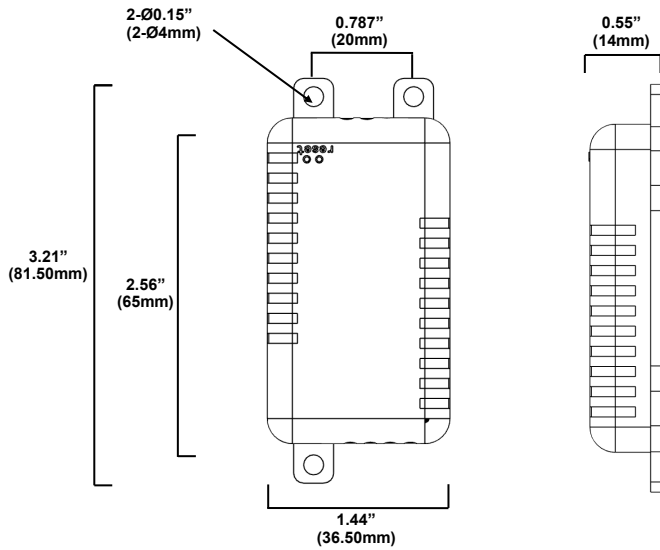
Wiring



Wiring Dim to Off Driver with 12v Auxiliary Power

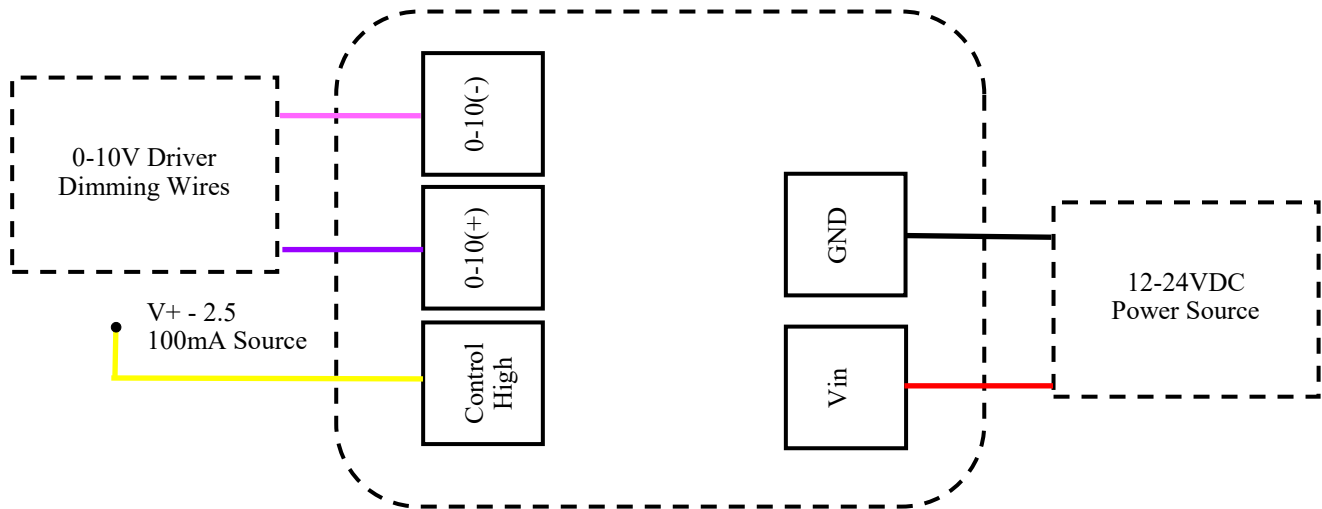


Physical Dimensions



Drawings are Not to Scale

Wiring Block Diagram



How to Order

Model No.	Description	Input Voltage	Output
PSC-WCM-50-BLE-SR	Wireless Fixture Controller, Single Channel,, Bluetooth Mesh in TruBlu,™ Silvair technology partner	12-24 VDC	0-10V, 100mA Control High

For Line to Low Voltage Power Supply/Controller, please check McWong PacWave™ PSC-AC-PP-200/400/700C/800/900.
Design and specifications are subject to change without notice.